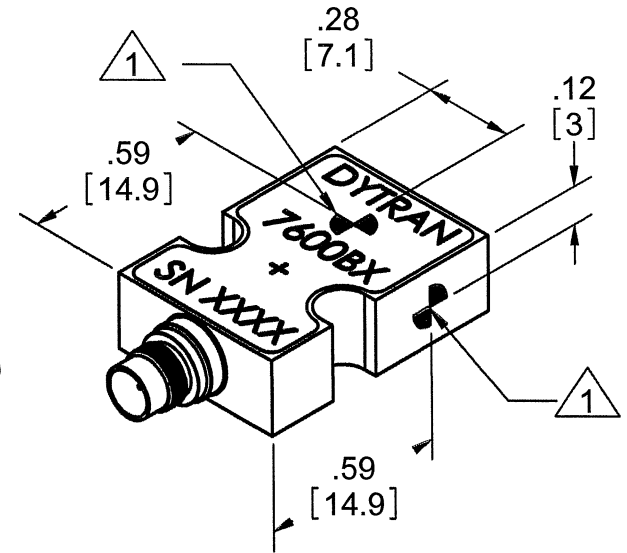
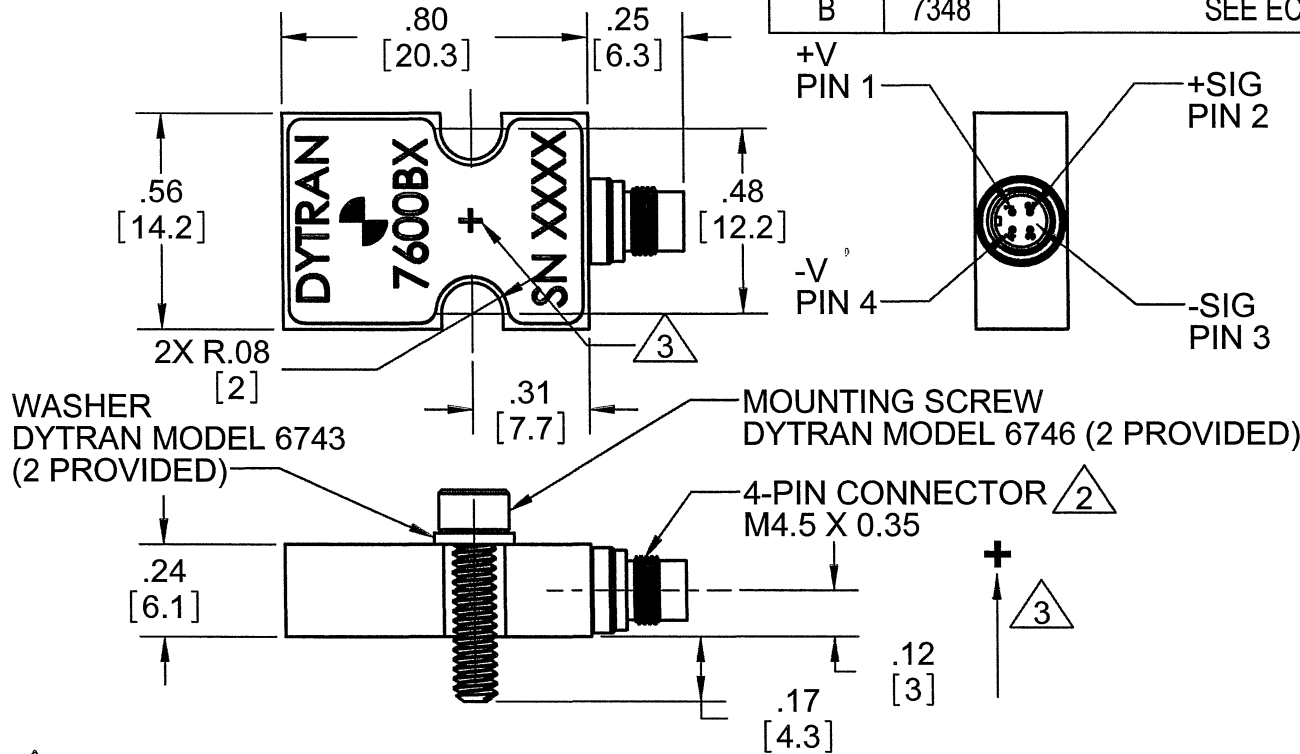


PROPRIETARY AND CONFIDENTIAL

THE INFORMATION CONTAINED IN THIS DRAWING IS THE SOLE PROPERTY OF DYTRAN INSTRUMENTS INC. ANY REPRODUCTION IN PART OR AS A WHOLE WITHOUT THE WRITTEN PERMISSION OF DYTRAN INSTRUMENTS INC. IS PROHIBITED

REVISIONS

REV	ECN	DESCRIPTION	BY/DATE	CHK	APPR
A	6307	INITIAL RELEASE	RA, 06/28/10	EP	DV
B	7348	SEE ECN	JS 01/25/11	<i>[Signature]</i>	ANS



MODEL	RANGE
7600B1	±5G
7600B2	±10G
7600B3	±25G
7600B4	±50G
7600B5	±100G
7600B6	±200G

- 3 ARROW & "+" INDICATES DIRECTION OF ACCELERATION FOR POSITIVE OUTPUT.
- 2 MATES WITH 6895AXX (XX= LENGTH IN FEET)
- 1 MARKING DENOTES LOCATION OF SENSING ELEMENT.

NOTES: UNLESS OTHERWISE SPECIFIED

UNLESS OTHERWISE SPECIFIED: INTERPRET DIM & TOL PER ASME Y14.5M - 1994. REMOVE BURRS. COUNTERSINK INTERNAL THDS 90° TO MAJOR DIA. CHAM EXT THDS 45° TO MINOR DIA. THD LENGTHS AND DEPTHS ARE FOR MIN FULL THDS. THDS PER MIL-S-7742. DIMENSIONS APPLY AFTER FINISHING.	
7600BX	NEXT ASSY
APPLICATION	
THIRD ANGLE PROJECTION USA	
ALL MACHINED SURFACES. ⁶³ TOTAL RUNOUT WITHIN .005. BREAK SHARP EDGES .005 TO .010. MACHINED FILLET RADII .005 TO .015. WELDING SYMBOLS PER AWS A2.4. ABBREVIATIONS PER MIL-STD-12	

UNLESS OTHERWISE SPECIFIED: DIMENSIONS ARE IN INCHES. DIMENSIONS IN BRACKETS [] ARE IN MILLIMETERS TOLERANCES ARE: INCHES METRIC ANGLES .XX ± .03 .X ± 0.8 ± 1° .XXX ± .010 .XX ± 0.25		
MATERIAL		
FINISH		
DO NOT SCALE DRAWING		

CONTRACT NO.		
APPROVALS		DATE
ORIG	RA	10/07/09
CHK	EP	06/28/10
APP	DV	07/16/10
APP		

MASTER ONLY IF IN RED Chatsworth, CA			
TITLE: OUTLINE/INSTALLATION DRAWING, 7600B SERIES			
SIZE A	CAGE CODE 2W033	DWG. NO. 127-7600B	REV B
SCALE: 2:1		SOLIDWORKS	SHEET 1 OF 1

Model Number 7600B2	PERFORMANCE SPECIFICATION			DOC NO PS7600B2
	VARIABLE CAPACITANCE ACCELEROMETER			REV D, ECN 7606, 06/14/11



- POWER SUPPLY IDENTICAL TO STRAIN GAGE SENSORS
- VARIABLE CAPACITANCE ACCELEROMETER
- DIFFERENTIAL MODE
- HERMETICALLY SEALED
- DC RESPONSE

	ENGLISH		SI	
PHYSICAL				
Weight, Max	0.1	oz	3.6	grams
Size	Length x Width x Height .80 x .56 x .23		Inches 20.3 x 14.2 x 5.8	
Connector	Type 4-PIN, M4.5 x 0.35 THD		4-PIN, M4.5 x 0.35 THD	
Mounting	4-40 X 7/16 LG SHCS		4-40 X 7/16 LG SHCS	
Material	Ti-6Al-4V		Ti-6Al-4V	
PERFORMANCE				
Input Range	±10	g	±98	m/s ²
Frequency Response (±3dB)	0-1000	Hz	0-1000	Hz
Sensitivity Differential, ±5% [1]	50	mV/g	5.1	mV/m/s ²
Output Noise, Differential, Typ	10	µg rms/v Hz	98	µ m/s ² /V Hz
Non-Linearity, Max [2]	0.5	% F.S	0.5	% F.S
Sensitivity Change with Excitation Voltage (6-22 Volts)	0.3	%	0.3	%
Cross Axis Sensitivity	< 3	%	< 3	%
Zero Measurand Output	±50	mV	±50	mV
ENVIRONMENTAL				
Maximum Mechanical Shock (0.1 ms)	2000	gpk	±19620	m/s ² peak
Bias Temperature Shift, Max [3]	111	(ppm of span)/°F	200	(ppm of span)/°C
Sensitivity Temperature Shift	277	ppm/°F	500	ppm/°C
Operating Temperature Range	-40 to +176	°F	-40 to +80	°C
Seal	Hermetic		Hermetic	
ELECTRICAL				
Output Common Mode Voltage ± VDC	[4]		[4]	
Output Impedence, Nom	1225	Ω	1225	Ω
Operating Voltage	±3 to ±11	VDC	±3 to ±11	VDC
Operating Current, Max	13	mA Dc	13	mA Dc
Change in Operating Current to Excitation Voltage	0.25	mA/V	0.25	mA/V

This family also includes:

Model	Input Range (g)	Frequency response (Hz)	Sensitivity Differential, ±15% (mV/g)	Max.Shock (0.1ms)	Noise Differential (µg/v/Hz)
7600B1	±5	0-600	100	2000	9
7600B3	±25	0-1500	20	2000	25
7600B4	±50	0-2000	10	2000	50
7600B5	±100	0-2500	5	2000	100
7600B6	±200	0-3000	2.5	2000	200

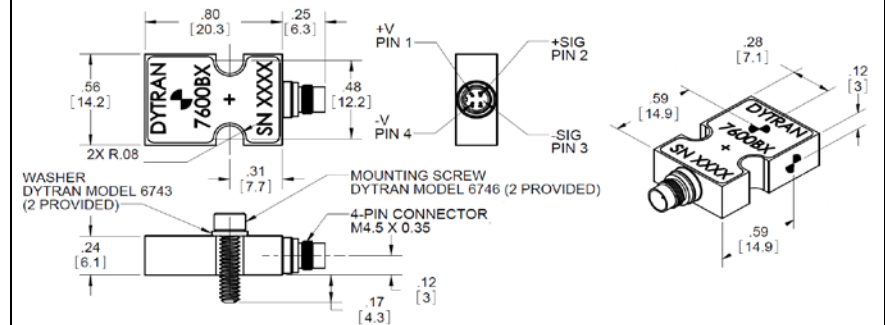
Please, refer to the performance specifications of the products in this family for detailed description

Supplied Accessories:

- 1) Accredited calibration certificate (ISO 17025)
- 2) Two mounting screws model # 6746
- 3) Two mounting washers model # 6743

Notes:

- [1] Single ended sensitivity is half of values shown
- [2] -90% to +90% of Full Scale
- [3] Over the rated temperature range
- [4] Bias voltage equal to (+ v - (-v)) / 2
- [5] Mating cable 6895A
- [6] In the interest of constant product improvement, we reserve the right to change specifications without notice.



Units on the line drawing are in inches. Refer to 127-7600B for more information.

