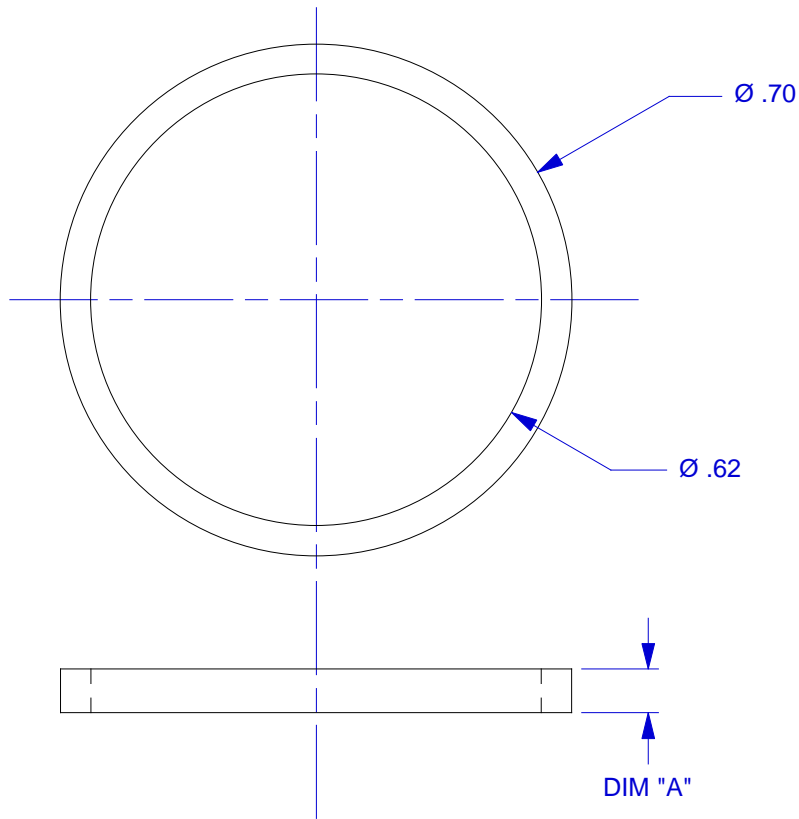


VAR	PART NO.	DIM 'A'	MAT'L	USED ON
-01	6607D	.060	DELTRIN	2013V
-02	6607B	.060	BRASS, 1/2 HARD	2013V
-03	6607M1	.015	BRASS, 1/2 HARD	2012V
-	-	-	-	-



		CHATSWORTH, CA.	
SCALE	4X	REV SEE CHART	DATE SEE CHART
DATE	7/17/02	PART NO. SEE CHART	
DRAWN	N.C.	CHECKED	D.Z.
APPROVED		MATERIAL SEE CHART	
		NEXT ASSEMBLY	
		USED ON	
TITLE			DWG NO.
OUTLINE/INSTALLATION, MODELS 2013V & 2012V			127-6607
			SHEET 1 OF 1