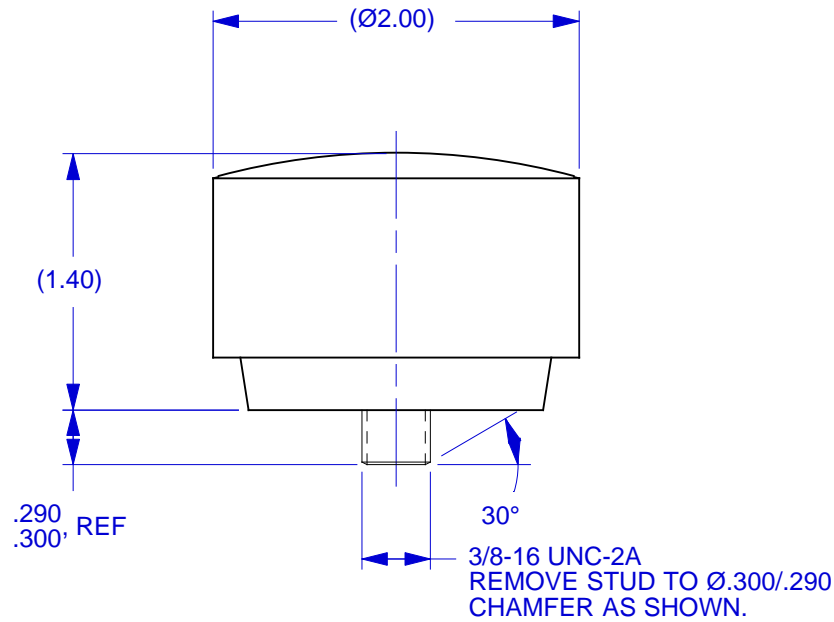


**VARIATION CHART**

VAR	MODEL	REV	ECN	DATE	COLOR	DENSITY
-01	6251S	-	-	-	BROWN	SOFT
-02	6251M	-	-	-	GREEN	MEDIUM
-03	6251T	-	-	-	RED	TOUGH
-04	6251H	-	-	-	BLACK	HARD



		CHATSWORTH, CA.	
SCALE	1X	REV	-
DATE	8/1/02	DATE	SEE CHART
DRAWN	P.N.	CHECKED	N.C
APPROVED		MAT'L	1
TITLE		USED ON	
<b>OUTLINE/INSTALLATION DRAWING, IMPACT TIP, MODEL 5802A</b>		6251S, M, T, H	
DWG NO.		SHEET	
<b>127-6251</b>		1 OF 1	