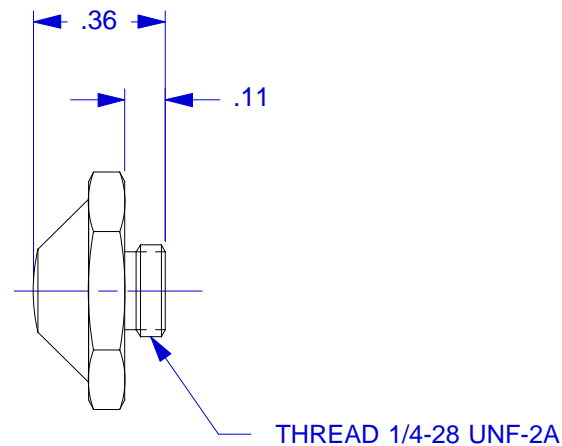
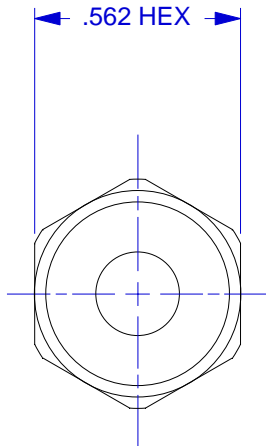



REV	DATE	ECN	PART NO.	MODEL NO.	MAT'L
-	-	-	105-6250-01	6250S	303 ST. STEEL
-	-	-	105-6250-02	6250A	ALUM ALLOY 2024-T4
-	-	-	105-6250-03	6250C	COPPER, CDA110
-	-	-	105-6250-04	6250T	TITANIUM, Ti-6Al-4V



		CHATSWORTH, CA.				
		SCALE	2X	REV SEE CHART	DATE SEE CHART	ECN SEE CHART
DATE	3/14/01	PART NO.	SEE CHART			
DRAWN	R.A.	CHECKED	N.C.			
APPROVED		NEXT ASSEMBLY	SEE CHART		USED ON	SERIES 5800A
TITLE					DWG NO.	
OUTLINE/INSTALLATION DRAWING, IMPACT TIP, MODEL 6250					127-6250	
					SHEET 1 OF 1	