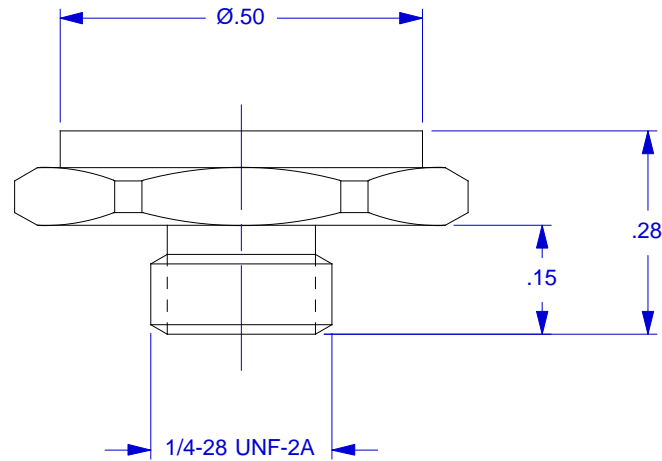
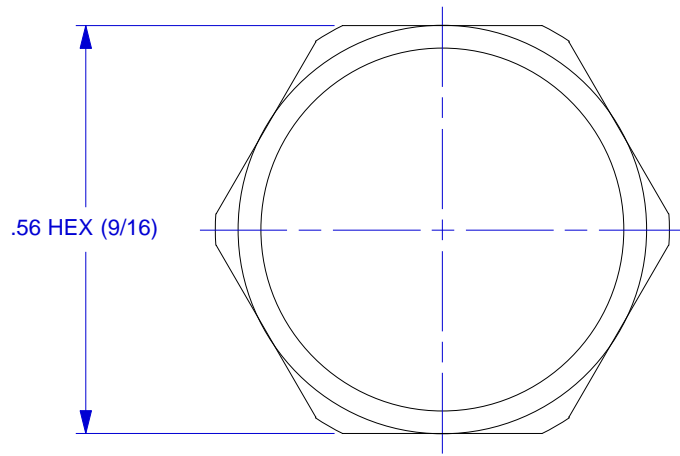


VAR	REV	DATE	ECN	PART NO.	MODEL	MATERIAL
-01	-	-	-	105-6210-01	6210S	303 SS
-02	-	-	-	105-6210-02	6210A	AL ALLOY 2024-T4
-03	-	-	-	105-6210-03	6210HS	17-4 PH



DYTRAN INSTRUMENTS, INC.		CHATSWORTH, CA.			
SCALE	4X	REV SEE CHART	DATE SEE CHART	ECN SEE CHART	
DATE	3/14/01	PART NO. SEE CHART			
DRAWN	R.A.	CHECKED	N.C.	MAT'L SEE CHART	
APPROVED		NEXT ASSEMBLY			USED ON 6210 SERIES
TITLE OUTLINE/INSTALLATION DRAWING IMPACT CAP, MODEL 6210 SERIRES					DWG NO. 127-6210
SHEET 1 OF 1					