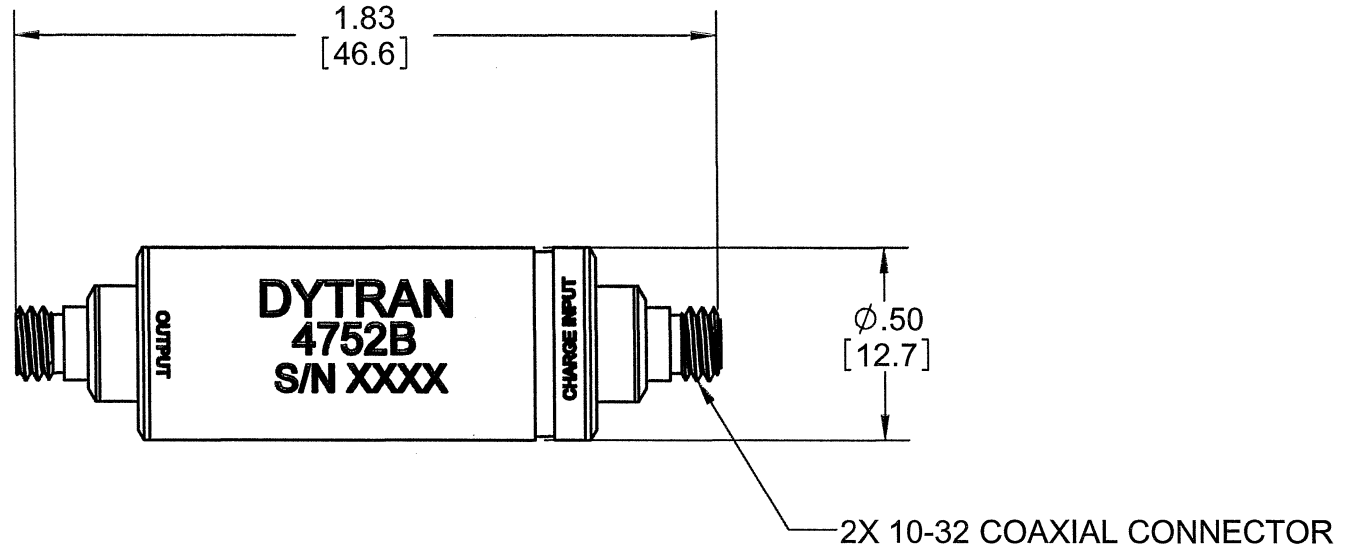


PROPRIETARY AND CONFIDENTIAL

THE INFORMATION CONTAINED IN THIS DRAWING IS THE SOLE PROPERTY OF DYTRAN INSTRUMENTS INC. ANY REPRODUCTION IN PART OR AS A WHOLE WITHOUT THE WRITTEN PERMISSION OF DYTRAN INSTRUMENTS INC. IS PROHIBITED

REVISIONS

REV	ECN	DESCRIPTION	BY/DATE	CHK	APPR
A	7502	INITIAL RELEASE	DV 06/09/11	EV	AK



2. WEIGHT: 17 GRAMS MAX

1. CONNECTOR/HOUSING MATERIAL: 304L

NOTES: UNLESS OTHERWISE SPECIFIED

UNLESS OTHERWISE SPECIFIED: INTERPRET DIM & TOL PER ASME Y14.5M - 1994. REMOVE BURRS. COUNTERSINK INTERNAL THDS 90° TO MAJOR DIA. CHAM EXT THDS 45° TO MINOR DIA. THD LENGTHS AND DEPTHS ARE FOR MIN FULL THDS. THDS PER MIL-S-7742. DIMENSIONS APPLY AFTER FINISHING.	UNLESS OTHERWISE SPECIFIED: DIMENSIONS ARE IN INCHES. DIMENSIONS IN BRACKETS [] ARE IN MILLIMETERS TOLERANCES ARE: INCHES METRIC ANGLES .XX ±.03 .X ±0.8 ±1° .XXX±.010 .XX ±0.25
USED ON	NEXT ASSY
APPLICATION	
THIRD ANGLE PROJECTION USA	
ALL MACHINED SURFACES. ⁶³ ✓ TOTAL RUNOUT WITHIN .005. BREAK SHARP EDGES .005 TO .010. MACHINED FILLET RADII .005 TO .015. WELDING SYMBOLS PER AWS A2.4. ABBREVIATIONS PER MIL-STD-12.	

MATERIAL	
FINISH	
DO NOT SCALE DRAWING	

CONTRACT NO.		
APPROVALS		DATE
ORIG	DV	1/14/11
CHK	EV	6/23/11
APP	AK	6/23/11
APP		



MASTER ONLY IF IN RED

Chatsworth, CA

TITLE: **OUTLINE/INSTALLATION DRAWING, MODEL 4752B**

SIZE A	CAGE CODE 2W033	DWG. NO. 127-4752B	REV A
SCALE: NONE		SOLIDWORKS	SHEET 1 OF 1



- FAST TURN ON TIME
- HIGH TEMPERATURE SENSORS
- MINIATURE PACKAGE
- TOLERATES LOW INSULATION RESISTANCE FROM SENSORS
- HERMETICALLY SEALED

	ENGLISH		SI	
PHYSICAL				
Weight, MAX	0.60	oz	17	grams
Input Connector [1]	Type 10-32		Type 10-32	
	Material 304L		Material 304L	
Output Connector [1]	Type 10-32		Type 10-32	
	Material 304L		Material 304L	
Housing	Material 304L		Material 304L	
	Isolation Case Grounded		Isolation Case Grounded	
PERFORMANCE				
Sensitivity, ±3% [2]	10	mV/pC	10	mV/pC
Input Range	500	pC	500	pC
Frequency Range, ±5%	5 to 40,000	Hz	5 to 40,000	Hz
Output voltage range	+/-5	Vp	+/-5	Vp
Non-Linearity [3]	+/-1%	%F.S.	+/-1%	%F.S.
Noise floor (5Hz to 10kHz)	40	µVrms	40	µVrms
Maximum Input Voltage	30	Vp	30	Vp
Minimum Source Resistance	300	kΩ	300	kΩ
Maximum Source Capacitance	20000	pF	20000	pF
Turn on Time (within 10% of bias)	<5	sec	<5	sec
Thermal coefficient of sensitivity, Max	0.01	%/°F	0.02	%/°C
ELECTRICAL				
Supply Current Range [4]	4 to 20	mA	4 to 20	mA
Compliance Voltage Range	+18 to +30	VDC	+18 to +30	VDC
Output Impedance, Typ.	<100	Ω	<100	Ω
Output Bias Voltage	12 to 15	VDC	12 to 15	VDC
Discharge Time Constant	0.1 to 0.3	sec	0.1 to 0.3	sec
Polarity	Inverting		Inverting	
ENVIRONMENTAL				
Shock Max	2000	g pk	19620	m/s ²
Vibration Max	300	g pk	2943	m/s ²
Operating Temperature	-40 to +185	°F	-40 to +85	°C
Seal	Hermetic		Hermetic	

This family also includes:

Model	Sensitivity (mV/pC)	Range (pC)	Resolution (µVrms)	Oper. Temp(°F)	TC

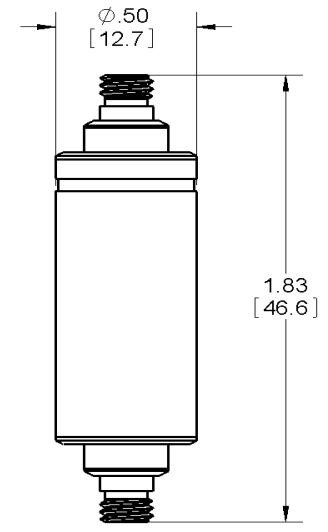
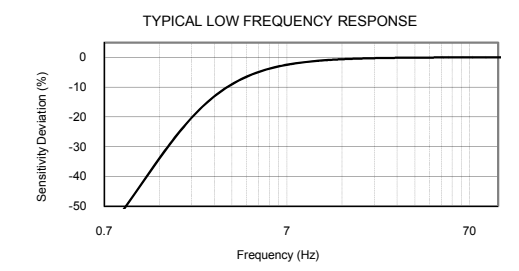
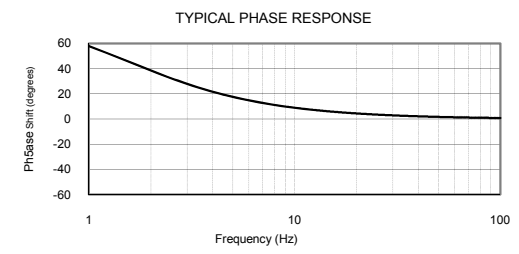
Refer to the performance specifications of the products in this family for detailed description

Supplied Accessories:

1) Accredited calibration certificate (ISO 17025)

Notes:

- [1] Glass to metal seal connector, type 10-32 coaxial receptacle.
- [2] Measured at 100 Hz, 1000 pF input.
- [3] Percent of full scale or any lesser range, zero based best-fit straight line method.
- [4] Do not apply power to this system without current limiting, 20 mA MAX. To do so will destroy the integral IC amplifier.
- [5] In the interest of constant product improvement, we reserve the right to change specifications without notice.



Units on the line drawing are in inches, units in brackets are in millimeters. Refer to 127-4752B for more information.



21592 Marilla Street, Chatsworth, California 91311 Phone: 818.700.7818 Fax: 818.700.7880
 www.dytran.com For permission to reprint this content, please contact info@dytran.com