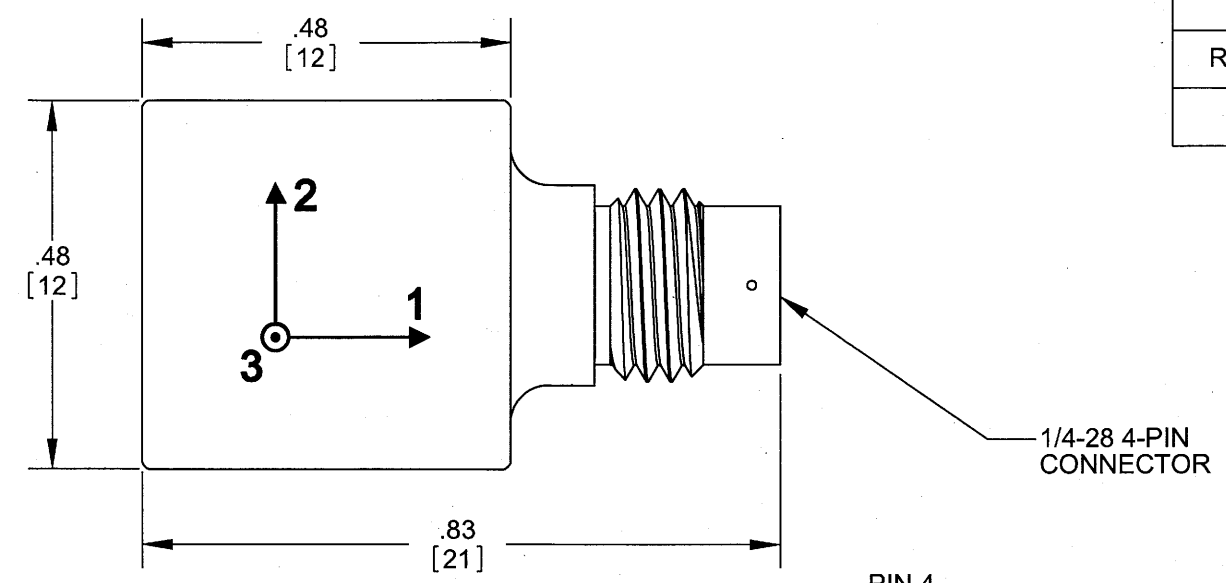


REVISIONS

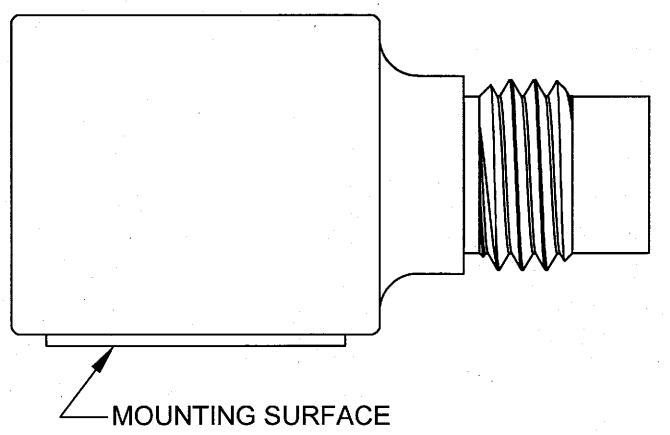
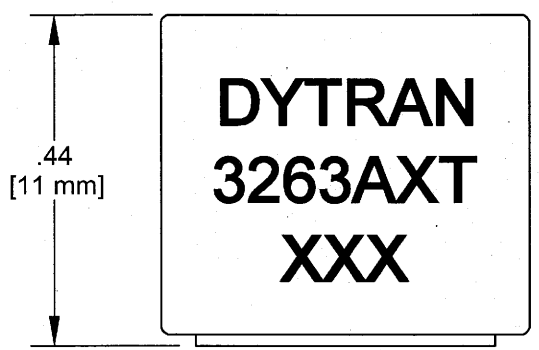
REV.	ECN	DESCRIPTION	BY/DATE	CHK	APPR
A	4631	ADD: 3263A3T TO NOTE 4	R.L.A. 5/4/07	CEB	CEB



1/4-28 4-PIN CONNECTOR

PIN 4
X-AXIS OUTPUT

PIN 1
GND RETURN
COMMON

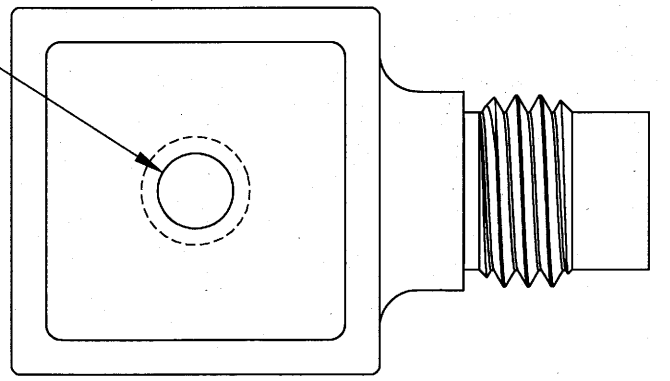


MOUNTING SURFACE

PIN 3
Z-AXIS OUTPUT

PIN 2
Y-AXIS OUTPUT

4-40 UNC MOUNTING HOLE



- 6. DIMENSIONS ARE IN INCHES [mm]
- 5. EACH AXIS INCLUDES TEDS
- 4. SENSITIVITY:
3263A1T: 10mV/g
3263A2T: 100 mV/g
3263A3T: 50mV/g
- 3. WEIGHT: 5.6 GRAMS NOMINAL
- 2. ARROW INICATE ACCELERATION DIRECTION FOR POSITIVE OUTPUT.
- 1. HOUSING MATERIAL: TITANIUM ALLOY

DRILL HOLE SIZE	TOLERANCE	UNLESS OTHERWISE SPECIFIED: INTERPRET DIM & TOL PER ASME Y14.5M - 1994. REMOVE BURRS. COUNTERSINK INTERNAL THDS 90° TO MAJOR DIA. CHAM EXT THDS 45° TO MINOR DIA. THD LENGTHS AND DEPTHS ARE FOR MIN FULL THDS. THDS PER MIL-S-7742. DIMENSIONS APPLY AFTER FINISHING
.0135 THRU .125	+0.004 / -.001	ALL MACHINED SURFACES. ⁶³ TOTAL RUNOUT WITHIN .005. BREAK SHARP EDGES .005 TO .010. MACHINED FILLET RADII .005 TO .015. WELDING SYMBOLS PER AWS A2.4. ABBREVIATIONS PER MIL-STD-12.
.1260 THRU .250	+0.005 / -.001	
.2510 THRU .500	+0.006 / -.001	
.5010 THRU .750	+0.008 / -.001	
.7510 THRU 1.000	+0.010 / -.001	
1.001 THRU 2.000	+0.012 / -.001	

UNLESS OTHERWISE SPECIFIED:
DIMENSIONS ARE IN INCHES.
TOLERANCES ARE:
DECIMALS .XX ± .010
.XXX ± .005
ANGLES ± 1°

MATERIAL:

FINISH:

DO NOT SCALE DRAWING

CONTRACT NO.		DATE	
APPROVALS		9/9/06	
ORIG	PML		
CHK	PML	5/11/06	
APP			
APP			

DYTRAN
INSTRUMENTS, INC. Chatsworth, CA

TITLE:
**OUTLINE/INSTALLATION DRAWING,
MODEL 3263AT ACCELEROMETER**

SIZE B	CAGE CODE 2W033	DWG NO 127-3263AT	REV A
------------------	---------------------------	-----------------------------	-----------------

SCALE: 2:1 SOLIDWORKS SHEET 1 of 1



SPECIFICATIONS, MODEL 3263AT TRIAXIAL ACCELEROMETER WITH TEDS

SPECIFICATIONS				UNITS
PHYSICAL				
WEIGHT	5.6			grams
SIZE (WIDTH x HEIGHT)	0.48 x .48			inches
MOUNTING	4-40 INTERNAL THD			
CONNECTOR [1]	4-PIN			
MATERIAL, HOUSING/CONNECTOR	TITANIUM ALLOY			

SPECIFICATIONS	3263A1T	3263A2T	3263A3T	UNITS
PERFORMANCE				
SENSITIVITY, $\pm 10\%$ [2]	10	100	50	mV/g
RANGE, F.S. (each axis)	± 500	± 50	100	g
FREQUENCY RESPONSE, -5 / +15%	1.5 to 10000	1.5 to 10000	1.5 to 10000	Hz
ELEMENT NATURAL FREQUENCY, NOM.	40	40	40	kHz
ELECTRICAL NOISE FLOOR (25Hz-25kHz)	.0008	.0006	.0008	grms
(1Hz-10kHz)	.001	.0004	.001	grms
LINEARITY, MAX [3]	1	1	1	% FS
TRANSVERSE SENSITIVITY, MAX	5	5	5	%
SIGNAL POLARITY	POSITIVE FOR MOTION IN DIRECTION OF ARROWS ON HOUSING			

ENVIRONMENTAL				
MAXIMUM VIBRATION	± 600			gpk
MAXIMUM SHOCK	5000			gpk
TEMPERATURE RANGE	-60 to +180			$^{\circ}$ F
ENVIRONMENTAL SEAL	HERMETIC			
COEFFICIENT OF THERMAL SENSITIVITY	.03			%/ $^{\circ}$ F

ELECTRICAL				
SUPPLY CURRENT RANGE, (each axis) [4]	2 to 20			mA
COMPLIANCE (SUPPLY) VOLTAGE RANGE (each axis)	+18 to +30			VDC
OUTPUT IMPEDANCE, TYP.	100	150	150	Ohms
OUTPUT BIAS VOLTAGE	+11 to +13			VDC
DISCHARGE TIME CONSTANT	0.3 to 1.0			sec
GROUND ISOLATION	CASE GROUNDED			
IEPE SENSOR WITH TEDS FEATURE	PER IEEE 1451.4			

- [1] Connector mates with Dytran cable assy. Model 6811AXX. (XX = length in feet)
 [2] Reference sensitivity measured at 100 Hz, 1 grms per ISA RP 37.2
 [3] Linearity is % of specified full scale (or any lesser full scale range), zero-based best fit straight line method.
 [4] Power only with IEPE power unit or other Dytran-compatible constant current type power unit. If power is applied without current limiting protection, the internal amplifier will be immediately destroyed.