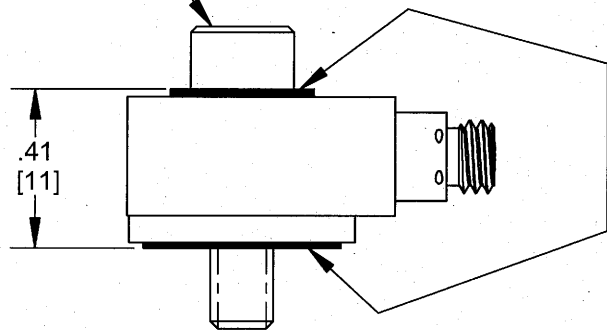
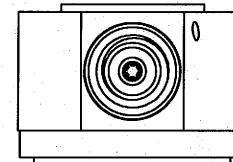


STANDARD #8 OR M4 BOLT



HARD ANODIZED ELECTRICALLY ISOLATED SURFACES



3211A1: 10mV/g

3211A2: 100mV/g

EXCEPT AS OTHERWISE NOTED	
ALL DIMENSIONS IN INCHES TOLERANCE: XXX = ± .005 XX = ± .01	
SURFACE FINISH EXCEPT AS NOTED 63/✓	
BREAK EDGES TO DEBURR .005 / .015 RADIUS OR CHAMFER	
FILLETS: .005 MAX R	

**DYTRAN**

INSTRUMENTS, INC.

CHATSWORTH, CA

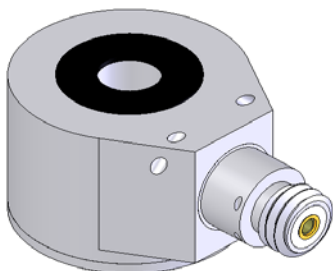
SCALE 2:1	REV -	DATE -	ECN -
DATE 4/1/2005	PART NO. MODEL 3211A		
DRAWN PML	CHECKED	MATERIAL	
APPROVED PML 12.905	NEXT ASSEMBLY		USED ON
TITLE <b>OUTLINE / INSTALLATION DRAWING MODEL 3211A ACCELEROMETER</b>			DWG NO. 127-3211A
SHEET 1 OF 1			

# PERFORMANCE SPECIFICATION

ENGLISH VERSION

**DYTRAN 3211A1**

Rev A ECN 4953 12/1/2007  
Rev B ECN 6981 09/02/2010



## ACCELEROMETER, SINGLE AXIS IEPE

		units	minimum	typical	maximum
<b>PHYSICAL</b>					
Weight		grams		9.6	
Size	Diameter	inch		0.6	
	Height	inch		0.42	
	Thru hole		accommodates standard 8-32 or M4 bolt		
Mounting Connector	Type		coaxial		
	Thread		10-32		
	Location		side		
Housing	Material		titanium alloy		
	Isolation		case connected to signal ground and isolated from mounting surface by integral isolation washers		
Sensing Element	Material		ceramic		
	Mode		shear		
<b>PERFORMANCE</b>					
Sensitivity at 4mA		mV/g	9.5	10	10.5
Measurement Range		±gpk		500	
Frequency Range, ±5%		Hz	1		10000
Resonance Frequency		kHz		>31	
Equivalent Noise	1Hz to 10kHz	g rms		0.0005	
Sensitivity vs Current	2mA to 10mA	%			1
Transverse Sensitivity		%			5
Polarity	see outline drawing			positive	
<b>ENVIRONMENTAL</b>					
Shock		g pk			5000
Operating Temperature		°F	-67		250
Seal			hermetic		
Coefficient of Thermal Sensitivity		%/°F		0.06	
Magnetic Sensitivity at 100 Gauss		g/Gauss		0.004	
Thermal Shock Sensitivity		g/°F		0.02	
Base Strain Sensitivity		g/με		0.04	
Stray Voltage Sensitivity	10V applied to mounting surface	equiv. g			0.004
<b>ELECTRICAL</b>					
Supply Current		mA	2		20
Compliance Voltage		Vdc	18		30
Output Bias	Room Temp	Vdc	11		13.5
	Operating Temp	Vdc	8		16
Output Impedance		Ω		120	
Discharge Time Constant		sec		0.5	
Warmup Time		sec		2	

### ACCESSORIES SUPPLIED

- (1) 6595, 8-32 mounting screw
- (1) 6597, M4 x .7 mounting screw