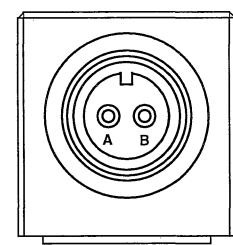
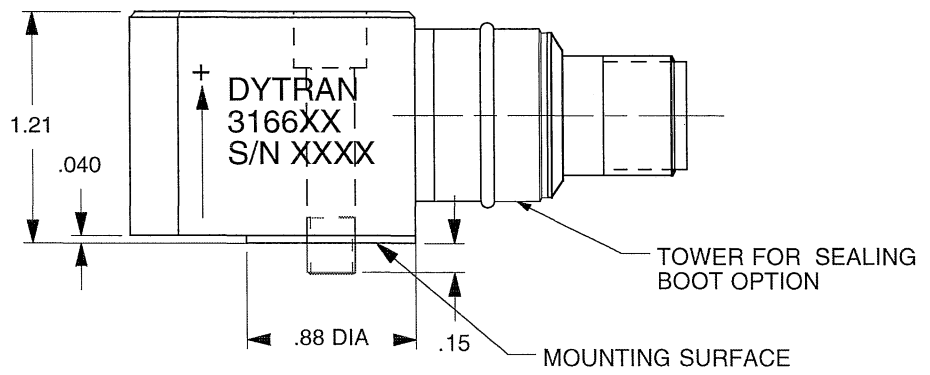
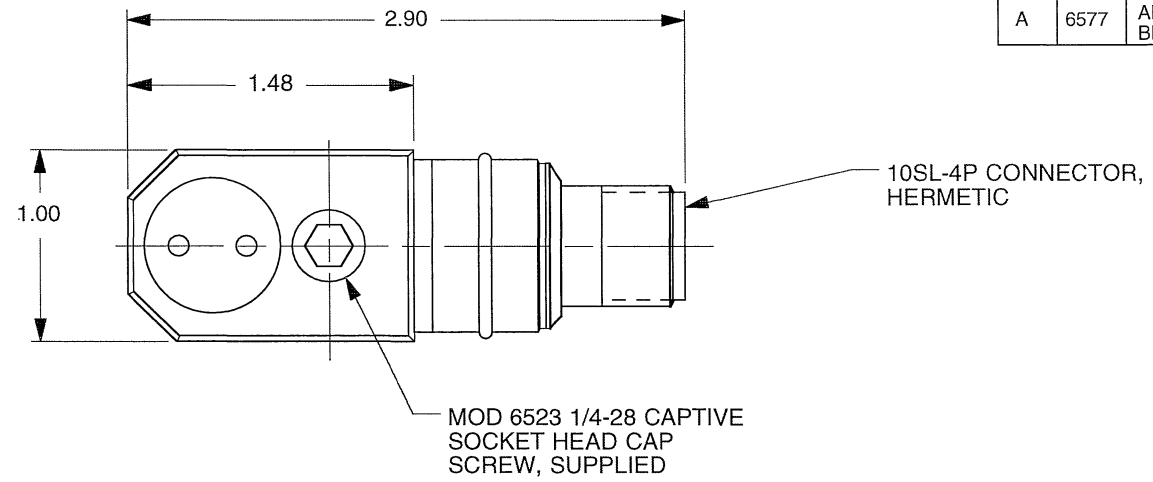


REV	ECN	DESCRIPTION	BY/DATE	CHK	APPR
A	6577	ADDED 3166M5 TO USED ON BLOCK, ADDED MARKING	JS 03/01/10	<i>JS</i>	<i>As</i>



CONNECTOR PINOUT:
PIN A: SIG/PWR
PIN B: GND RETURN

- 1) POWER GROUND IS INSULATED FROM CASE BY >10 MEGOHMS.
- 2) SEAL: HERMETIC.

EXCEPT AS OTHERWISE NOTED	
ALL DIMENSIONS IN INCHES	
TOLERANCE: .XXX = ± .005 .XX = ± .01	
SURFACE FINISH EXCEPT AS NOTED	✓
BREAK EDGES TO DEBURR RADIUS OR CHAMFER	
△ THESE DIAS ⊙ TO .005 T.I.R.	
FILLETS -	MAX RAD.

DYTRAN INSTRUMENTS, INC.		MASTER ONLY IF IN RED		CHATSWORTH, CA.	
SCALE	1X	REV	-	DATE	-
DATE	7-29-02	PART NO.	MODELS 3166B, B1 & B2		
DRAWN	N.C.	CHECKED	R.A.	MAT'L	-
APPROVED	<i>As</i>		NEXT ASSEMBLY	USED ON	3166B, 3166B1, 3166M5
TITLE				DWG NO.	
OUTLINE/INSTALLATION DRAWING, MODELS 3166B, 3166B1 & 3166B2				127-3166B	
				SHEET 1 OF 1	



SPECIFICATIONS

MODELS 3166B, 3166B1 & 3166B2 LIVM ACCELEROMETER

SPECIFICATION	VALUE	UNITS
PHYSICAL		
WEIGHT	228	GRAMS
SIZE, L x W x H	2.90 x 1.00 x 1.21	IN
MOUNTING PROVISION, (MOD 6523 SCREW PROVIDED)	THRU HOLE, CAPTIVE 1/4-28 SCREW	
ELECTRICAL CONNECTOR, RADIAL	2-PIN MILITARY 10SL-4P, HERMETIC	
MATERIAL CASE/CONNECTOR	316L	ST. STEEL
ELEMENT STYLE	CERAMIC PLANAR SHEAR	
PERFORMANCE		
SENSITIVITY, $\pm 5\%$ 3166B/3166B1/B2 [1]	100/500/10	mV/G
RANGE FOR ± 5 VOLTS OUT, 3166B/ 3166B1/ 3166B2	$\pm 50/\pm 10/\pm 500$	G
FREQUENCY RESPONSE, $\pm 10\%$, 3166B/ 3166B1/ 3166B2	.3 – 10,000	Hz
MOUNTED RESONANT FREQUENCY	>21	kHz
EQUIV. ELECT. NOISE FLOOR, (RESOLUTION) 3166B/ 3166B1/ 3166B2	.00006/ .00002/ .001	G RMS
AMPLITUDE NON-LINEARITY (ZERO BASED BEST FIT ST.LINE METHOD)	2.0	% F.S., MAX.
TRANSVERSE SENSITIVITY, MAX.	5	PERCENT
STRAIN SENSITIVITY	.0001	G/ $\mu\epsilon$ @ 250/ $\mu\epsilon$
ENVIRONMENTAL		
MAXIMUM VIBRATION	350	G's, RMS
MAXIMUM SHOCK	3000	G's, PEAK
TEMPERATURE RANGE	-60 TO +250	$^{\circ}$ F
ENVIRONMENTAL SEAL	GLASS TO METAL/WELDED, HERMETIC	
ELECTRICAL		
COMPLIANCE (SUPPLY) VOLTAGE RANGE [2]	+20 to +30	VDC
EXCITATION CURRENT RANGE	2 to 20	mA
OUTPUT IMPEDANCE, NOM.	200	OHMS
OUTPUT BIAS VOLTAGE	+11 to +13	VDC
DISCHARGE TIME CONSTANT	0.7 to 1.2	SEC.
OUTPUT SIGNAL POLARITY FOR ACCELERATION TOWARD TOP	POSITIVE GOING	
POWER/SIGNAL GROUND to CASE ISOLATION, MIN	10	GIGAOHMS

SUPPLIED ACCESSORIES:

- (1) Model 6523, 1/4-28 captive, socket head cap screw

[1] MEASURED AT 100 Hz, 1 G RMS. A CALIBRATION CERTIFICATE TRACEABLE TO **NIST** IS SUPPLIED WITH EACH INSTRUMENT.

[2] THE USE OF DYTRAN LIVM CURRENT SOURCE POWER UNITS IS RECOMMENDED. **DO NOT CONNECT THIS INSTRUMENT TO A SOURCE OF DC VOLTAGE WITHOUT CURRENT LIMITING PROTECTION, 20 mA MAX.** TO DO SO WILL DESTROY THE INTERNAL AMPLIFIER AND VOID THE WARRANTY.