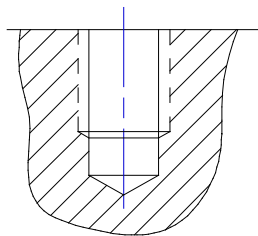
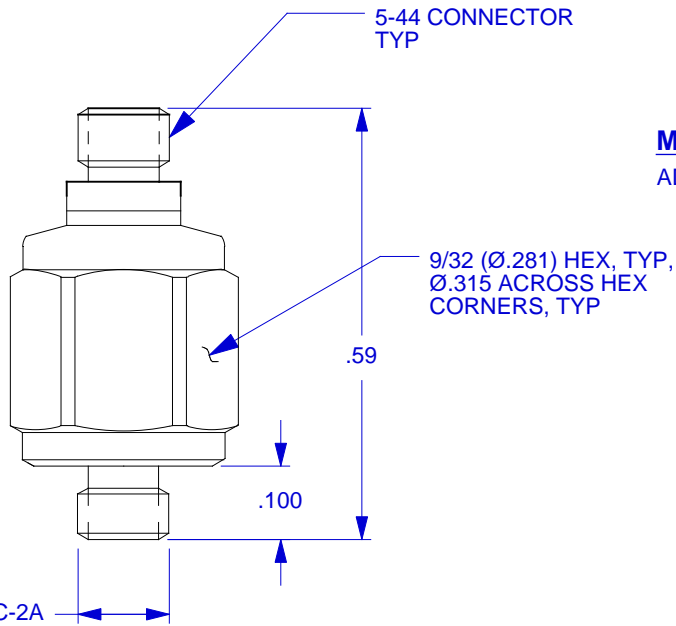
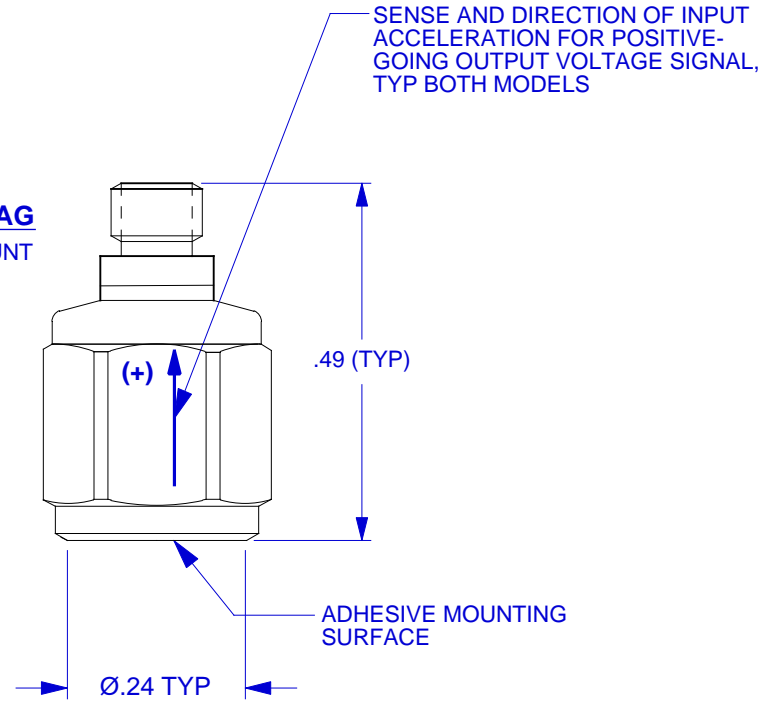


MODEL 3145A
STUD MOUNT



MOUNTING PORT PREPARATION:
DRILL #38 (Ø.1015) X.200 MIN DEPTH
TAP 5-40 X .140 MIN DEPTH THD

MODEL 3145AG
ADHESIVE MOUNT



5. SUGGESTED ADHESIVE TYPE FOR MODEL 3145AG-CYANOACRYLATE "INSTANT BOND".
4. TO INSTALL MOD 3145A, TORQUE IN PLACE WITH 10 OZ.-INCHES.
3. WEIGHT-MOD 3145A-2.3 GRAMS., (A)
MOD 3145AG-2.1 GRAMS. (A)
2. SEAL-HERMETIC, ALL WELDED.
1. MATERIAL: TITANIUM ALLOY.

EXCEPT AS OTHERWISE NOTED	
ALL DIMENSIONS IN INCHES TOLERANCE: .XXX = ± .XX = ± .01	
SURFACE FINISH EXCEPT AS NOTED	✓
BREAK EDGES TO DEBURR RADIUS OR CHAMFER	
△ THESE DIAS ⊕ TO T.I.R.	
FILLETS -	MAX RAD.



CHATSWORTH, CA.

SCALE 4X	REV A	DATE 2-10-03	ECN -		
DATE 3/28/00	PART NO.				
DRAWN N.C.	CHECKED R.A.	MAT'L			
APPROVED	NEXT ASSEMBLY		USED ON		
TITLE OUTLINE/INSTALLATION DRAWING MODELS 3145A & 3145AG			DWG NO. 127-3145A		
			SHEET OF 1		



**SPECIFICATIONS
MODEL 3145AG LIVM ACCELEROMETER**

SPECIFICATION	VALUE	UNITS
PHYSICAL		
WEIGHT	2.1	Grams
SIZE, HEX x HEIGHT	.281 (9/32) x .49	Inches
MOUNTING PROVISION	FLAT BASE FOR ADHESIVE MOUNT	
CONNECTOR, TOP MOUNTED	5-44	Coaxial
MATERIAL, HOUSING AND CONNECTOR	300 Series	Stainless Steel
ELEMENT STYLE	Ceramic, Shear	
PERFORMANCE		
SENSITIVITY, $\pm 10\%$ [1]	100	mV/G
RANGE F.S. FOR ± 5 VOLTS OUTPUT	± 50	G's
FREQUENCY RANGE, $\pm 5\%$	0.5 to 10k	Hz
RESONANT FREQUENCY, NOM.	45	kHz
EQUIVALENT ELECTRICAL NOISE FLOOR	.007	G's RMS
LINEARITY [2]	$\pm 1\%$	% F.S.
TRANSVERSE SENSITIVITY, MAX.	5	%
STRAIN SENSITIVITY	.002	G's/ $\mu\sigma$ @ 250 $\mu\sigma$
ENVIRONMENTAL		
MAXIMUM VIBRATION/SHOCK	600/3000	\pm G's/G's PEAK
TEMPERATURE RANGE	-60 to +185	$^{\circ}$ F
SEAL, HERMETIC	Glass-to-metal and TIG welded	
COEFFICIENT OF THERMAL SENSITIVITY	.04	%/ $^{\circ}$ F
ELECTRICAL		
SUPPLY CURRENT/COMPLIANCE VOLTAGE RANGE [3]	2 to 20/+18 to +30	mA/Volts
OUTPUT IMPEDANCE, TYP.	100	Ohms
BIAS VOLTAGE	+11 to +13	VDC
DISCHARGE TIME CONSTANT	0.5 to 0.8	Sec
OUTPUT SIGNAL POLARITY FOR ACCELERATION TOWARD TOP	Positive	
CASE GROUNDING	Case is grounded to electrical power ground	

[1] Measured at 100 Hz, 1 G RMS per ISA RP 37.2.

[2] Measured using zero-based best straight line method, % of F.S. or any lesser range.

[3] Do not apply power to this device without current limiting, 20 mA MAX. To do so will destroy the integral IC amplifier.