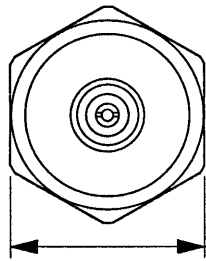
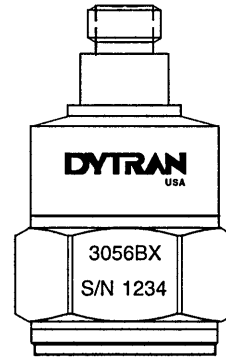
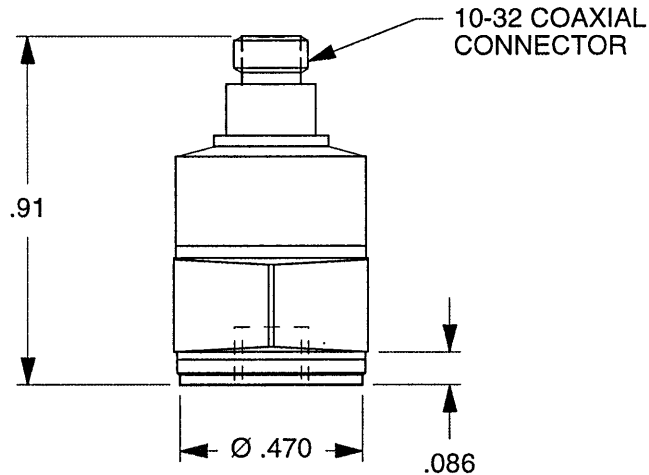


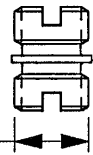
REV	ECN	DESCRIPTION	BY/DATE	CHK	APPR
A	4776	INITIAL RELEASE OF 3056B7	RLA 7/30/07	<i>CES</i>	<i>CES</i>



.500 HEX

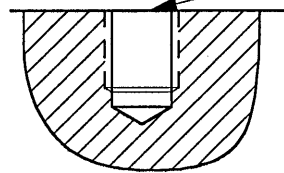


MODEL	REV	ECN	SENSITIVITY	F.S. RANGE, ±5V
3056B1	-	-	10.0 mV/g	±500 g's
3056B2	-	-	100 mV/g	±50 g's
3056B3	-	-	500 mV/g	±10 g's
3056B4	-	-	20 mV/g	±250 g's
3056B5	-	-	50 mV/g	±100 g's
3056B6	-	-	200 mV/g	±25 g's
3056B7	A	4776	5 mV/g	±1000 g's



MODEL 6200 MOUNTING STUD, PROVIDED

10-32 THD., TYP



MOUNTING HOLE PREPARATION:
 SELECT SURFACE FLAT TO .001 TIR
 DRILL #21 (.159) DIA. X .250 DEEP
 BOTTOM TAP 10-32 UNF-2B X .200
 MIN. DEPTH PERF. THD.

MASTER ONLY IF IN RED

HARTFORD, CA.

SCALE	2X	REV	-	DATE	-	ECN	-
DATE	7/24/02	PART NO.	SERIES 3056B				
DRAWN	N.C.	CHECKED	R.A.	MAT'L	-		
APPROVED	N.C.	7/30/07	NEXT ASSEMBLY	USED ON		3056B1, B2, B3, B4, B5, B6	
TITLE						DWG NO.	
OUTLINE/INSTALLATION DRAWING, MODEL SERIES 3056B						127-3056B	
SHEET 1 OF 1							

1. CASE AND CONNECTOR MATERIAL: TITANIUM.



**SPECIFICATIONS
MODEL SERIES 3056B IEPE ACCELEROMETERS**

SPECIFICATION	VALUE	UNITS
---------------	-------	-------

PHYSICAL

WEIGHT	10	grams
SIZE, HEX x HEIGHT	.50 x 0.91	inches
MOUNTING PROVISION	10-32 X .150 DEEP TAPPED HOLE	
CONNECTOR, RADIALY MOUNTED	10-32 coaxial	
MATERIAL, BASE, CAP & CONNECTOR	TITANIUM	
SEISMIC ELEMENT TYPE	CERAMIC, PLANAR SHEAR	

PERFORMANCE

	3056B1	3056B2	3056B3	3056B4	3056B5	3056B6	3056B7	
SENSITIVITY, $\pm 5\%$ [1]	10	100	500	20	50	200	5	mV/g
RANGE F.S. FOR ± 5 VOLTS OUT	± 500	± 50	± 10	± 250	± 100	± 25	± 1000	g
FREQUENCY RANGE, $\pm 5\%$				1 to 10,000				Hz
RESONANT FREQUENCY					>32			kHz
ELECTRICAL NOISE (1Hz-10kHz)	.001	.0002	.0001	.0007	.0002	.0002	.003	g rms
LINEARITY [2] (all models)				± 2				%F.S.
TRANSVERSE SENSITIVITY, MAX.					5			%

ENVIRONMENTAL

	3056B1	3056B2	3056B3	3056B4	3056B5	3056B6	3056B7	
MAXIMUM VIBRATION	600	400	200	600	500	300	600	$\pm g$
MAXIMUM SHOCK	3000	2000	1000	3000	3000	2000	3000	gpk
TEMPERATURE RANGE	-60 to +250	-60 to +250	-60 to +225	-60 to +250	-60 to +250	-60 to +225	-60 to +250	$^{\circ}F$
SEAL, HERMETIC				Glass-to-metal/welded				
COEFFICIENT OF THERMAL SENS					.06			%/ $^{\circ}F$

ELECTRICAL

SUPPLY CURRENT [3]	2 to 20	mA
COMPLIANCE VOLTAGE RANGE	18 to +30	V
OUTPUT IMPEDANCE, TYP.	100	Ω
BIAS VOLTAGE	+9 to +13	Vdc
DISCHARGE TIME CONSTANT	0.5 to 1.5	sec
OUTPUT SIGNAL POLARITY	Positive	
FOR ACCELERATION TOWARD TOP		
ELECTRICAL ISOLATION, MIN	10	M Ω
CASE GROUND TO MOUNTING SURFACE		

Accessories supplied: (1) Model 6200 mounting stud.

[1] Measured at 100 Hz, 1 G RMS per ISA RP 37.2.

[2] Measured using zero-based best straight line method, % of F.S. or any lesser range.

[3] Do not apply power to this device without current limiting, 20 mA MAX. To do so will destroy the integral IC amplifier.