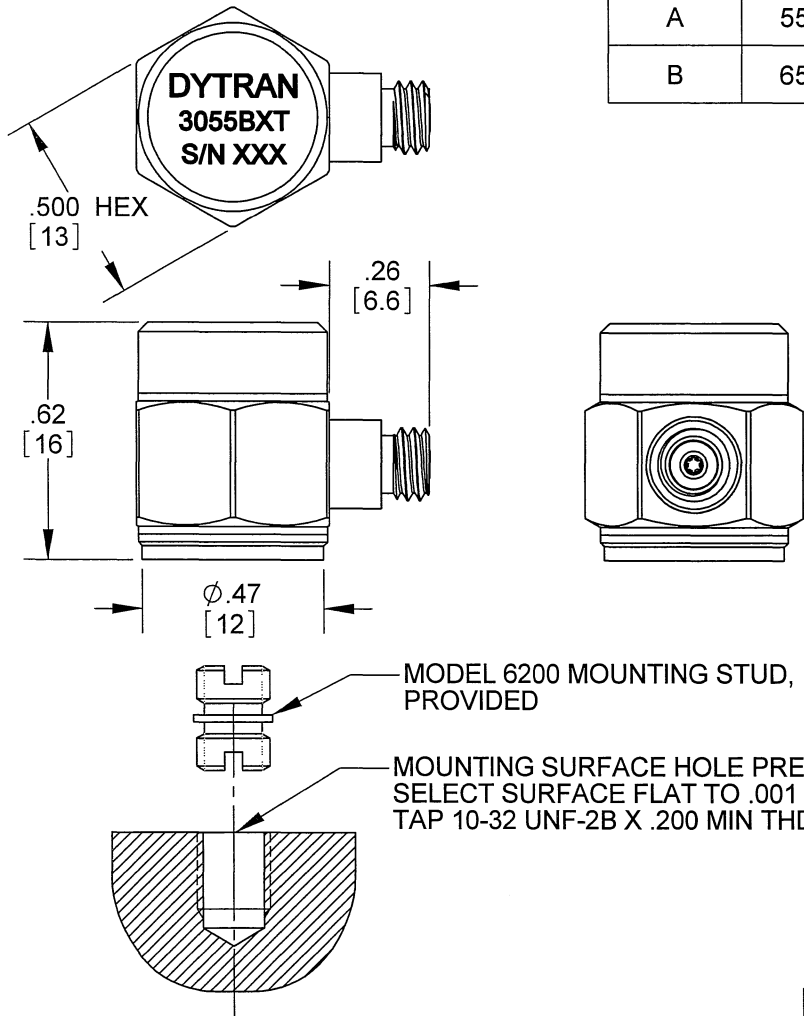


PROPRIETARY AND CONFIDENTIAL

THE INFORMATION CONTAINED IN THIS DRAWING IS THE SOLE PROPERTY OF DYTRAN INSTRUMENTS INC. ANY REPRODUCTION IN PART OR AS A WHOLE WITHOUT THE WRITTEN PERMISSION OF DYTRAN INSTRUMENTS, INC. IS PROHIBITED

REVISIONS

REV.	ECN	DESCRIPTION	BY/DATE	CHK	APPR
A	5585	INITIAL RELEASE OF 3055B4T	RA 11/7/08	DV	DV
B	6550	INITIAL RELEASE OF 3055B6T	EP 02/10/10	<i>DV</i>	<i>GA</i>



MODEL	REV	ECN	SENSITIVITY	FULL SCALE, ±5V
3055B1T	-	-	10 mV/g	±500 g
3055B2T	-	-	100 mV/g	±50 g
3055B3T	-	-	500 mV/g	±10 g
3055B4T	A	5585	50mV/g	±100 g
3055B6T	A	6550	200mV/g	±25 g

APPLICATION

THIRD ANGLE PROJECTION
USA

UNLESS OTHERWISE SPECIFIED:
INTERPRET DIM & TOL PER ASME Y14.5M - 1994.
REMOVE BURRS.
COUNTERSINK INTERNAL THDS 90° TO MAJOR DIA.
CHAM EXT THDS 45° TO MINOR DIA.
THD LENGTHS AND DEPTHS ARE FOR MIN FULL THDS.
THDS PER MIL-S-7742.
DIMENSIONS APPLY AFTER FINISHING.
ALL MACHINED SURFACES.
TOTAL RUNOUT WITHIN .005.
BREAK SHARP EDGES .005 TO .010.
MACHINED FILLET RADII .005 TO .015.
WELDING SYMBOLS PER AWS A2.4.
ABBREVIATIONS PER MIL-STD-12.

UNLESS OTHERWISE SPECIFIED:
DIMENSIONS ARE IN INCHES.
TOLERANCES ARE:

DECIMALS	ANGLES
.XX ± .010	± 1°
.XXX ± .005	

MATERIAL

FINISH

DO NOT SCALE DRAWING

CONTRACT NO.

APPROVALS		DATE
ORIG	PML	10/14/05
CHK	PML	10/14/05
APP	PML	10/14/05
APP		

DYTRAN INSTRUMENTS, INC. Chatsworth, CA

MASTER ONLY IF IN RED

TITLE: **OUTLINE/INSTALLATION DRAWING 3055BT SERIES ACCELEROMETER (TEDS)**

SIZE	CAGE CODE	DWG. NO.	REV
A	2W033	127-3055BT	B

SCALE: 2:1 SOLIDWORKS SHEET 1 OF 1

