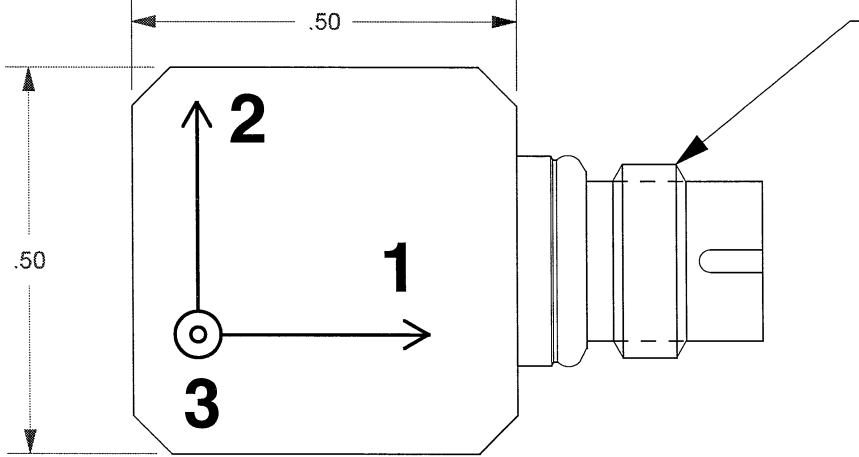
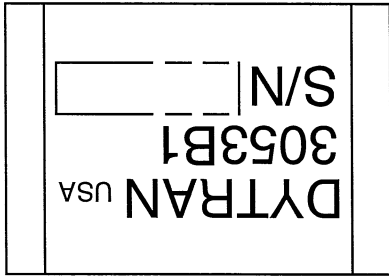
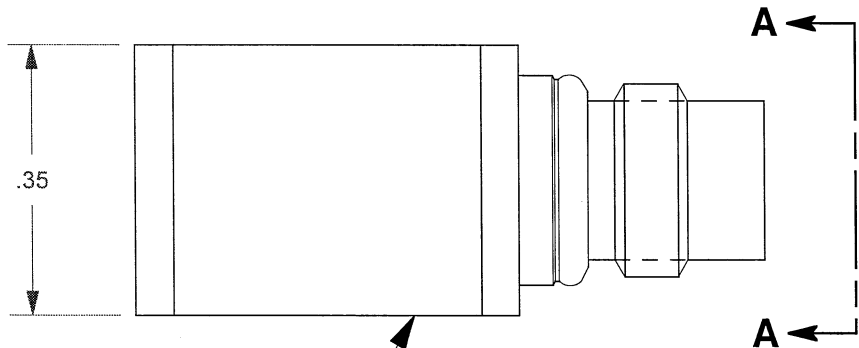


REV	ECN	DESCRIPTION	BY/DATE	CHK	APPR
A	7477	SEE ECN	RLA 4/12/11	JS	<i>[Signature]</i>

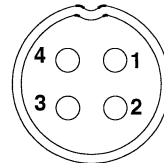


CONNECTOR MATES WITH
DYTRAN CABLE 6430AXX \triangle 3



MOUNTING SURFACE

PINOUT
 PIN #1 SIG/PWR AXIS 1 (X)
 PIN #2 SIG/PWR AXIS 2 (Y)
 PIN #3 SIG/PWR AXIS 3 (Z)
 PIN #4 GND RETURN, COMMON



VIEW A-A LOOKING INTO CONNECTOR

- 4 WEIGHT: 5.6 GRAMS.
- \triangle 3 XX=LENGTH IN FEET
- 2. + SIGNS INDICATE SENSE AND DIRECTION OF ACCELERATION FOR POSITIVE OUTPUT.
- 1. HOUSING & CONNECTOR MATERIAL: TITANIUM ALLOY

EXCEPT AS OTHERWISE NOTED

ALL DIMENSIONS IN INCHES
 TOLERANCE: .XXX = ± .xx = ±.01

SURFACE FINISH
 EXCEPT AS NOTED \checkmark

BREAK EDGES TO DEBURR
 RADIUS OR CHAMFER

\triangle THESE DIAS \odot TO T.I.R.

FILLETS - MAX RAD.

DYTRAN INSTRUMENTS, INC.		MASTER ONLY IF IN RED		CHATSWORTH, CA.	
SCALE	4X	REV	DATE	ECN	
			SEE REV BLK		
DATE	8/15/00	PART NO.	127-3053B1		
DRAWN	N.C.	CHECKED	R.A.	MAT'L	-
APPROVED	N.C.	8/15/00	NEXT ASSEMBLY	USED ON	3053B1
TITLE				DWG NO.	
OUTLINE INSTALLATION DRAWING, MODEL 3053B1, 5 mV/G				127-3053B1	
SHEET 1 OF 1					



SPECIFICATIONS, MODEL 3053B1 TRIAXIAL ACCELEROMETER

SPECIFICATIONS	VALUE	UNITS
PHYSICAL		
WEIGHT	6.0	GRAMS
SIZE (HEIGHT x WIDTH x DEPTH)	0.35 x .50 x .50	INCHES
MOUNTING [1]	ADHESIVE MOUNT	
CONNECTOR	4-PIN [2]	
MATERIAL, HOUSING/CONNECTOR	TITANIUM ALLOY	
PERFORMANCE		
SENSITIVITY, -10 +15% [3]	5.0	mV/G
RANGE, F.S. (each axis)	+/- 1000	G
FREQUENCY RESPONSE, +/- 10%	2 to 5000	Hz
ELEMENT NATURAL FREQUENCY, NOM.	30	kHz
EQUIVALENT ELECTRICAL NOISE	.014	G, RMS
LINEARITY [4]	1	%F.S.
TRANSVERSE SENSITIVITY, MAX,	5	%
SIGNAL POLARITY	POSITIVE FOR MOTION IN DIRECTION OF ARROWS ETCHED ON HOUSING	
ENVIRONMENTAL		
MAXIMUM VIBRATION	+/- 600	G
MAXIMUM SHOCK	5000	G
TEMPERATURE RANGE	-60 to +250	°F
ENVIRONMENTAL SEAL	HERMETIC	
COEFFICIENT OF THERMAL SENSITIVITY	.03	%/°F
ENVIRONMENTAL		
SUPPLY CURRENT RANGE, (each axis) [5]	2-to 20	mA
COMPLIANCE (SUPPLY) VOLTAGE RANGE (each axis)	+18 to +30	VDC
OUTPUT IMPEDANCE, TYP.	100	OHMS
OUTPUT BIAS VOLTAGE, NOM.	+10	VDC
DISCHARGE TIME CONSTANT, NOM.	0.5	SEC
GROUND ISOLATION	10	MEGOHMS (MIN)

[1] Case ground isolation is achieved by internal means.

[2] Connector mates with Dytran cable assy. Model 6430AXX. (XX = length in feet)

[3] Reference sensitivity measured at 100 Hz, 1 G RMS per ISA RP 37.2

[4] Linearity is % of specified full scale (or any lesser full scale range), zero-based best fit straight line method.

[5] Power only with Dytran LIVM power unit or other Dytran-compatible constant current type power unit. If power is applied without current limiting protection, the internal amplifier will be immediately destroyed.