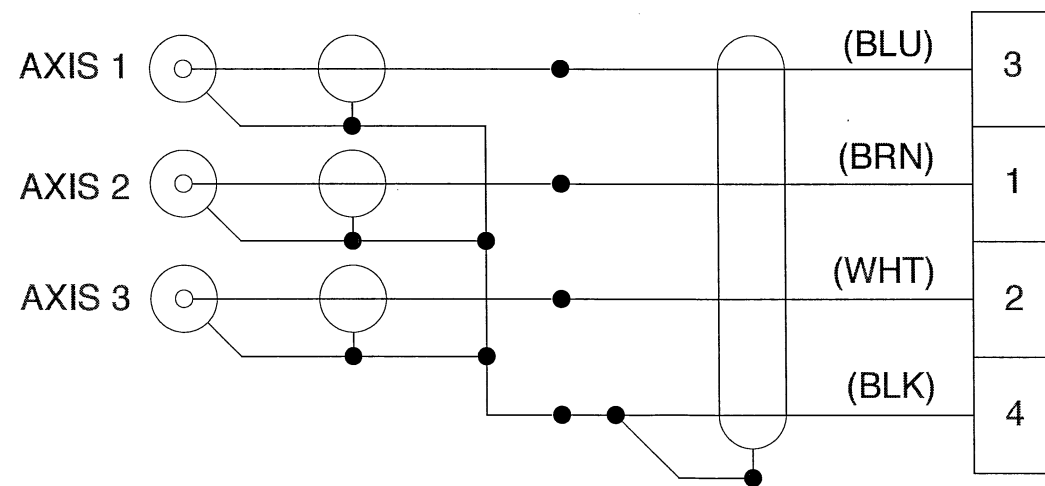
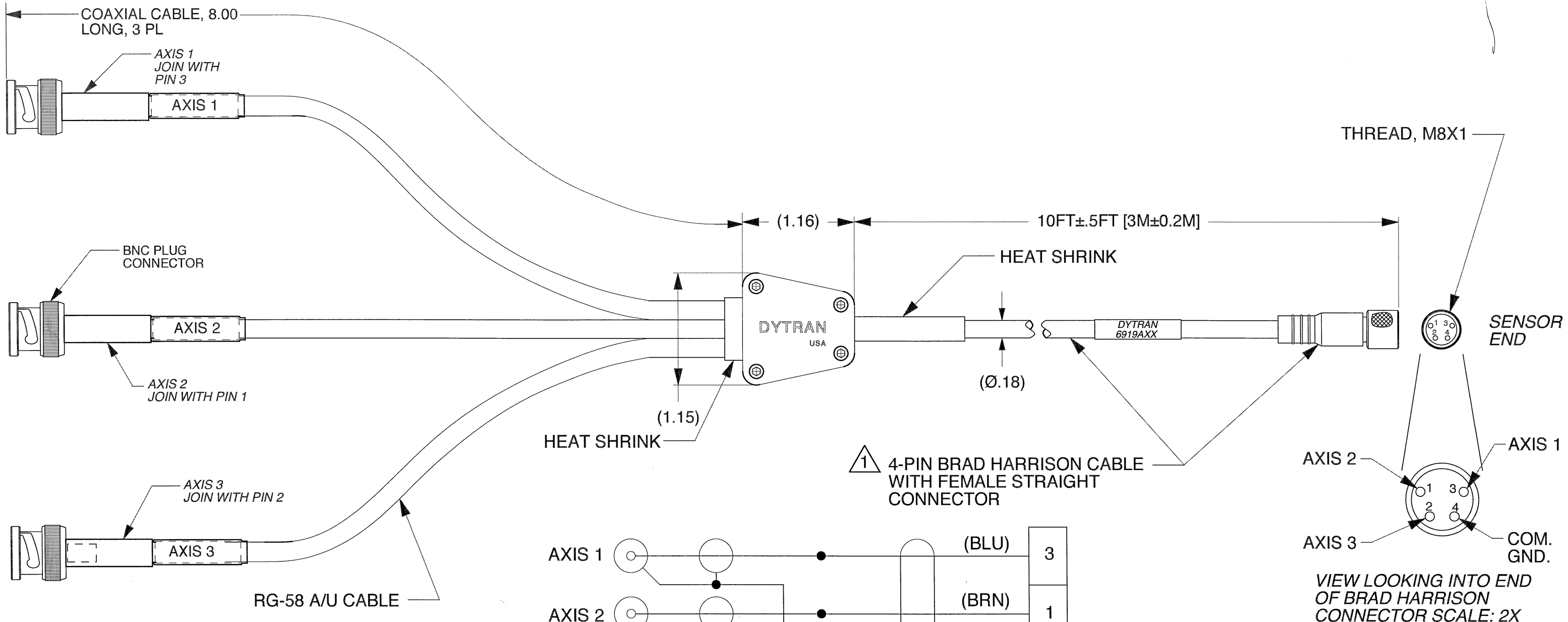


THE INFORMATION CONTAINED IN THIS DRAWING IS THE SOLE PROPERTY OF DYTRAN INSTRUMENTS, INC. AND ANY REPRODUCTION IN PART OR AS A WHOLE OR ANY OTHER DISSEMINATION OF THIS INFORMATION WITHOUT THE WRITTEN PERMISSION OF DYTRAN INSTRUMENTS, INC. IS PROHIBITED.

REV	ECN	DESCRIPTION	BY/DATE	CHK	APPR
A	6777	INITIAL RELEASE	RA, 05/18/10	J5	<i>[Signature]</i>



SCHEMATIC DIAGRAM

2. OPERATING TEMP: -40°F TO 167°F (-40° TO 75°C)

1 MATING CONNECTOR: BRAD HARRISON 4R4P06A27C300

EXCEPT AS OTHERWISE NOTED
 ALL DIMENSIONS IN INCHES
 TOLERANCE: .xxx = ± .005 .xx = ± .01
 SURFACE FINISH 63 ✓
 EXCEPT AS NOTED
 BREAK EDGES TO DEBURR .003
 RADIUS OR CHAMFER
 THESE DIAS Ⓞ TO T.I.R.
 FILLETS - MAX RAD.

DYTRAN INSTRUMENTS, INC.		MASTER ONLY IF IN RED		CHATSWORTH, CA.	
SCALE 1X	DESIGN MR. C	DATE -			
DRAWN RA	DATE 05/18/10	PART NO.			
CHECKED J5	DATE 05/24/10	MAT'L			REV A
APPROVED <i>[Signature]</i>	DATE 5/24/10	NEXT ASSEMBLY		USED ON 6919AXX	
TITLE OUTLINE/INSTALLATION DRAWING, 4-PIN TO THREE BNC PLUGS			DWG NO. 127-6919A	SHEET 1 OF 1	