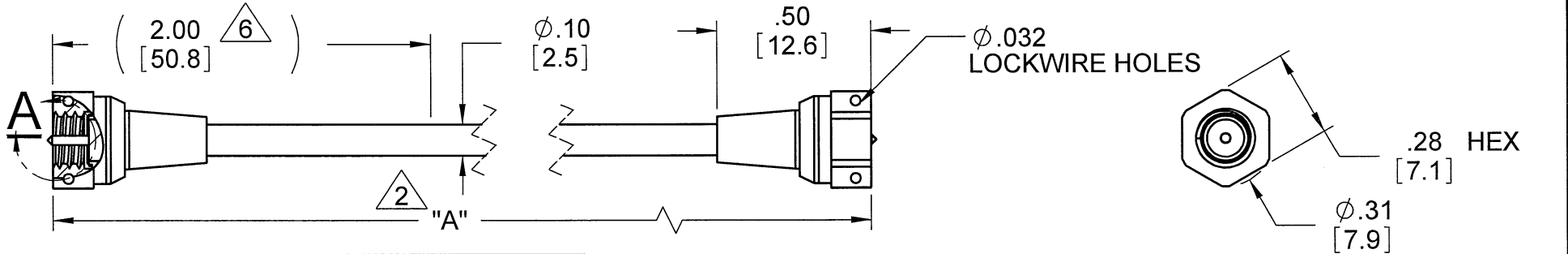


PROPRIETARY AND CONFIDENTIAL

THE INFORMATION CONTAINED IN THIS DRAWING IS THE SOLE PROPERTY OF DYTRAN INSTRUMENTS INC. ANY REPRODUCTION IN PART OR AS A WHOLE WITHOUT THE WRITTEN PERMISSION OF DYTRAN INSTRUMENTS INC. IS PROHIBITED

REVISIONS

REV	ECN	DESCRIPTION	BY/DATE	CHK	APPR
A	6305	INITIAL RELEASE	JS 05/05/10	JS	JS



MATERIALS

JACKET	304L SS
NUT	304L SS
STRAIN RELIEF	304L SS
PIN	304L SS
CABLE INSULATOR	SILICON DIOXIDE
CONNECTOR INSULATOR	MACOR

MODEL NUMBER	DIM A
6894A1.7	20.0±.5 (1.7 FT)
6894A03	36.0±1.0 (3 FT)
6894A05	60.0±3.0 (5 FT)
6894A10	120.0±3.0 (10 FT)
6894A15	180.0±5.0 (15 FT)
6894A20	240.0±6.0 (20 FT)

DETAIL A  
SCALE 4 : 1

- 6 DO NOT BEND CABLE WITHIN SECTION INDICATED ON BOTH ENDS OF CABLE. DO NOT BEND CABLE WHILE INSTALLED.
- 5. WEIGHT: 2.5 GRAMS PER FOOT APPROX.
- 4. MAXIMUM TORQUE: 12 LB-INCH.
- 3. MINIMUM BENDING RADIUS: 1.4 INCH.
- 2 CABLE LENGTH IS VARIABLE AND DESIGNATED AS LAST 2 DIGITS OF MODEL NUMBER. EXAMPLE: 6894A10 IS 10 FEET LONG.
- 1. MAXIMUM TEMPERATURE: 900 °F.

NOTES: UNLESS OTHERWISE SPECIFIED.

CONTRACT NO.

**DYTRAN INSTRUMENTS, INC.** **MASTER ONLY IF IN RED**

TITLE: **OUTLINE/INSTALLATION DRAWING, HARDLINE CABLE, MODEL 6894A**

UNLESS OTHERWISE SPECIFIED: INTERPRET DIM & TOL PER ASME Y14.5M - 1994. REMOVE BURRS. COUNTERSINK INTERNAL THDS 90° TO MAJOR DIA. CHAM EXT THDS 45° TO MINOR DIA. THD LENGTHS AND DEPTHS ARE FOR MIN FULL THDS. THDS PER MIL-S-7742. DIMENSIONS APPLY AFTER FINISHING.

UNLESS OTHERWISE SPECIFIED: DIMENSIONS ARE IN INCHES. DIMENSIONS IN BRACKETS [ ] ARE IN MILLIMETERS TOLERANCES ARE:  
INCHES METRIC ANGLES  
.XX ± .03 .X ± 0.8 ± 1°  
.XXX ± .010 .XX ± 0.25

ALL MACHINED SURFACES. TOTAL RUNOUT WITHIN .005. BREAK SHARP EDGES .005 TO .010. MACHINED FILLET RADII .005 TO .015. WELDING SYMBOLS PER AWS A2.4. ABBREVIATIONS PER MIL-STD-12.

THIRD ANGLE PROJECTION USA

APPROVALS		DATE
ORIG	DV	10/01/09
CHK	JS	5-17-10
APP	JS	5/24/10
APP		

SIZE	CAGE CODE	DWG. NO.	REV
A	2W033	127-6894A	A

SCALE: 2:1 SOLIDWORKS SHEET 1 OF 1