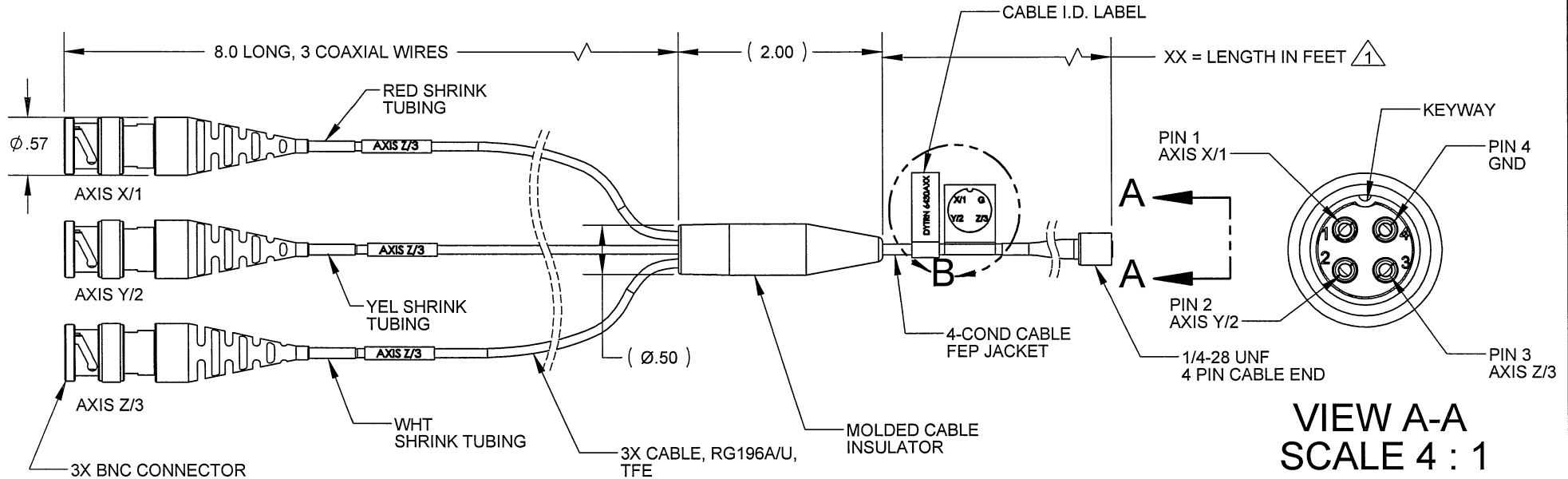


PROPRIETARY AND CONFIDENTIAL

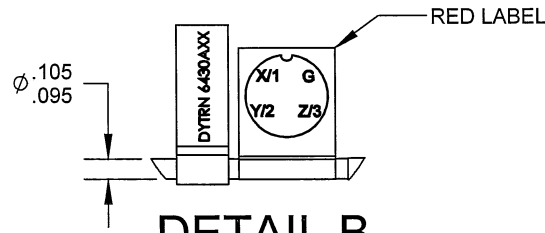
THE INFORMATION CONTAINED IN THIS DRAWING IS THE SOLE PROPERTY OF DYTRAN INSTRUMENTS INC. ANY REPRODUCTION IN PART OR AS A WHOLE WITHOUT THE WRITTEN PERMISSION OF DYTRAN INSTRUMENTS, INC. IS PROHIBITED

REVISIONS

REV.	ECN	DESCRIPTION	BY/DATE	CHK	APPR
F	6309	REDRAWN WITH CHANGES	RA 09/28/09	<i>er</i>	<i>DN</i>



VIEW A-A
SCALE 4 : 1



DETAIL B

2. TEMPERATURE RATING: -55°C TO 120°C.

△ XX = WILL VARY IN FEET PER CUSTOMER REQUIEMENTS, FOR EXAMPLE: 6430A10 = 10 FT CABLE LENGTH.

NOTES: UNLESS OTHERWISE SPECIFIED.

UNLESS OTHERWISE SPECIFIED: INTERPRET DIM & TOL PER ASME Y14.5M - 1994. REMOVE BURRS. COUNTERSINK INTERNAL THDS 90° TO MAJOR DIA. CHAM EXT THDS 45° TO MINOR DIA. THD LENGTHS AND DEPTHS ARE FOR MIN FULL THDS. THDS PER MIL-S-7742. DIMENSIONS APPLY AFTER FINISHING. ALL MACHINED SURFACES. TOTAL RUNOUT WITHIN .005. BREAK SHARP EDGES .005 TO .010. MACHINED FILLET RADII .005 TO .015. WELDING SYMBOLS PER AWS A2.4. ABBREVIATIONS PER MIL-STD-12.		UNLESS OTHERWISE SPECIFIED: DIMENSIONS ARE IN INCHES. DIMENSIONS IN BRACKETS [] ARE IN MILLIMETERS TOLERANCES ARE: INCHES .XX ± .25 ANGLES ± 1°	
6430AXX	USED ON	NEXT ASSY	APPLICATION
THIRD ANGLE PROJECTION USA			

DO NOT SCALE DRAWING

CONTRACT NO.



TITLE:
**OUTLINE/INSTALLATION DRAWING,
MINI 4 PIN TO (3) BNC, MODEL 6430A**

APPROVALS		DATE
ORIG	D.Z.	08/30/95
CHK	NC	02/08/05
APP	NC	02/08/05
APP		

SIZE A	CAGE CODE 2W033	DWG. NO. 127-6430A	REV F
SCALE: NONE		SOLIDWORKS	SHEET 1 OF 1