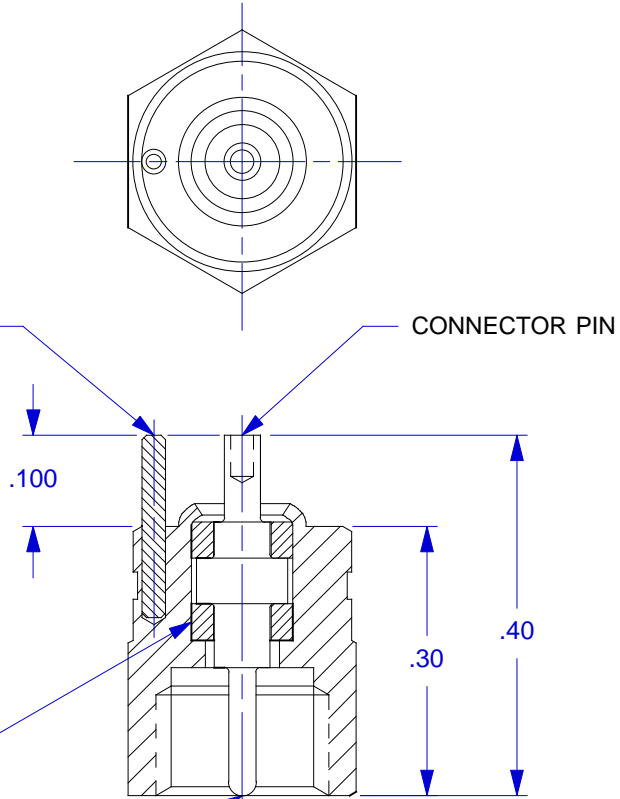


PIN, SILVER SOLDER IN PLACE, AS SHOWN.



INSULATOR, 2 REQD

ADAPTER BODY

		CHATSWORTH, CA.			
SCALE	5X	REV	-	DATE	-
DATE	7/19/02	ECN	-	PART NO.	-
DRAWN	V.M.	CHECKED	N.C.	MAT'L	-
APPROVED		NEXT ASSEMBLY	-	USED ON	6116
TITLE				DWG NO.	
OUTLINE/INSTALLATION DRAWING, SOLDER TERMINAL ADAPTER, MODEL 6116				127-6116	
				SHEET 1 OF 1	