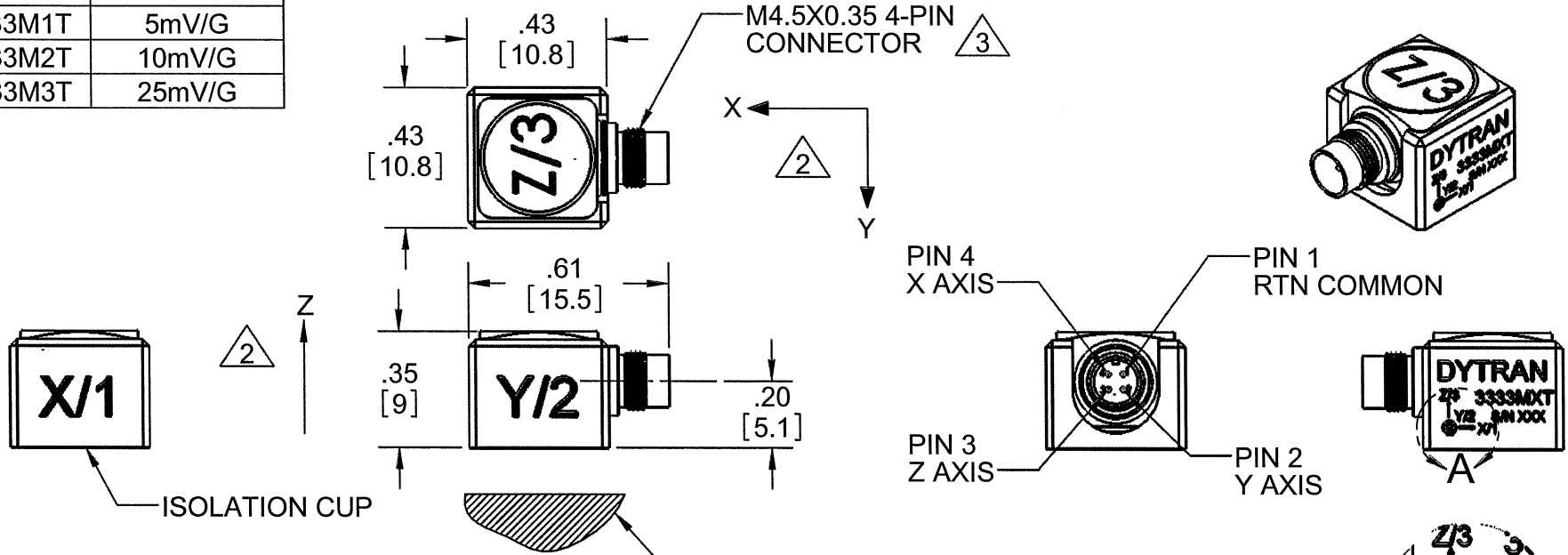


PROPRIETARY AND CONFIDENTIAL

THE INFORMATION CONTAINED IN THIS DRAWING IS THE SOLE PROPERTY OF DYTRAN INSTRUMENTS INC. ANY REPRODUCTION IN PART OR AS A WHOLE WITHOUT THE WRITTEN PERMISSION OF DYTRAN INSTRUMENTS INC. IS PROHIBITED

REVISIONS				
REV	ECN	DESCRIPTION	BY/DATE	CHK APPR
B	8002	REVISED MARKING PER CUSTOMER REQUEST	JS 11/09/11	<i>[Signature]</i> <i>[Signature]</i>

MODEL	SENSITIVITY
3333M1T	5mV/G
3333M2T	10mV/G
3333M3T	25mV/G



- 4. HOUSING/CONNECTOR MATERIAL: TITANIUM
ISOLATION CUP: ALUMINUM ALLOY 6061-T6, BLACK ANODIZED
- MATES WITH 6893AXX CABLE
- ARROWS INDICATE DIRECTIONS OF ACCELERATION FOR POSITIVE OUTPUT

MOUNTING RECOMMENDATIONS
 PREPARE A SURFACE AT LEAST .50 BY .50. SURFACE FLATNESS MUST BE EQUAL OR BETTER THAN .001 TIR. USE ONE DROP OF CYANOACRYLATE TO MOUNT THE ACCELEROMETER.

DETAIL A
SCALE 4 : 1

1. WEIGHT: 2.8 GRAMS

NOTES: UNLESS OTHERWISE SPECIFIED

USED ON	NEXT ASSY	UNLESS OTHERWISE SPECIFIED: INTERPRET DIM & TOL PER ASME Y14.5M - 1994. REMOVE BURRS. COUNTERSINK INTERNAL THDS 90° TO MAJOR DIA. CHAM EXT THDS 45° TO MINOR DIA. THD LENGTHS AND DEPTHS ARE FOR MIN FULL THDS. THDS PER MIL-S-7742. DIMENSIONS APPLY AFTER FINISHING.	UNLESS OTHERWISE SPECIFIED: DIMENSIONS ARE IN INCHES. DIMENSIONS IN BRACKETS [] ARE IN MILLIMETERS TOLERANCES ARE: INCHES METRIC ANGLES .XX ±.03 .X ±0.8 ±1° .XXX±.010 .XX ±0.25
APPLICATION			
THIRD ANGLE PROJECTION USA		ALL MACHINED SURFACES. TOTAL RUNOUT WITHIN .005. BREAK SHARP EDGES .005 TO .010. MACHINED FILLET RADII .005 TO .015. WELDING SYMBOLS PER AWS A2.4. ABBREVIATIONS PER MIL-STD-12.	MATERIAL FINISH DO NOT SCALE DRAWING

CONTRACT NO.		
APPROVALS		DATE
ORIG	RA	03/30/11
CHK	JS	06/01/11
APP	DV	06/16/11
APP		

ONLY IF IN RED

TITLE: **OUTLINE/INSTALLATION DRAWING, 3333MT SERIES**

SIZE A	CAGE CODE 2W033	DWG. NO. 127-3333MT	REV B
SCALE: 2:1		SOLIDWORKS	SHEET 1 OF 1



- **ULTRA LOW FREQUENCY RESPONSE**
- **ULTRA LOW NOISE LEVEL**
- **CASE ISOLATED**

ENGLISH		SI	
Weight, Max	0.14 oz	4.0 grams	
Mounting	Adhesive	Adhesive	
Connector [1]	4-pin	4-pin	
	Ti-6 AL-4V	Ti-6 AL-4V	
Housing	Ti-6 AL-4V	Ti-6 AL-4V	
Isolation Cup	Anodized Aluminum	Anodized Aluminum	
Sensing Element	Ceramic	Ceramic	
	Shear	Shear	

PERFORMANCE

Sensitivity, +15-10% [2]	25 mV/g	2.55 mV/m/s ²
Acceleration Range,	+/- 200 Gpeak	+/- 1962 m/s ² peak
Frequency Range, +15/-10%	.65-10,000 Hz	.65-10,000 Hz
Resonance Frequency	>24 kHz	>24 kHz
Linearity [3]	1 %F.S.	1 %F.S.
Transverse Sensitivity Max	6 %	6 %
Noise floor	0.0024 Grms	0.024 m/s ² rms
Spectral Noise		
1Hz	419 μGrms/sqr(Hz)	4110 μm/s ² rms/sqr(Hz)
10Hz	73 μGrms/sqr(Hz)	716 μm/s ² rms/sqr(Hz)
100Hz	45 μGrms/sqr(Hz)	441 μm/s ² rms/sqr(Hz)
1000Hz	21 μGrms/sqr(Hz)	206 μm/s ² rms/sqr(Hz)
10000Hz	11 μGrms/sqr(Hz)	108 μm/s ² rms/sqr(Hz)

ENVIRONMENTAL

Shock Max	5000 g pk	49050 m/s ²
Vibration Max	3000 g pk	29430 m/s ²
Operating Temperature	-60 to +185 °F	-51 to +85 °C
Seal	Hermetic	Hermetic
Base Strain Sensitivity	0.02 g/με	0.20 m/s ² /με

ELECTRICAL

Supply Current Range [4]	2 to 20 mA	2 to 20 mA
Compliance Voltage Range	+18 to +30 VDC	+18 to +30 VDC
Output Impedance, Typ.	100 Ω	100 Ω
Output Bias Voltage	11 to 13 VDC	11 to 13 VDC
Discharge Time Constant	0.5 - 1.5 sec	0.5 - 1.5 sec
TEDS Feature [5]	IEEE 1451.4	IEEE 1451.4
Case Isolation	10 GΩ	10 GΩ

This family also includes:

Model	Sensitivity (mV/g)	Range (Gpeak)	Resolution (Grms)	Oper. Temp(°F)	Time Constant (sec)
3333M1T	5	1000	0.0072	-60 to +250	0.5 - 1.5
3333M2T	10	500	0.0036	-60 to +225	0.5 - 1.5

Refer to the performance specifications of the products in this family for detailed description

Supplied Accessories:

1) Accredited calibration certificate (ISO 17025)

Notes:

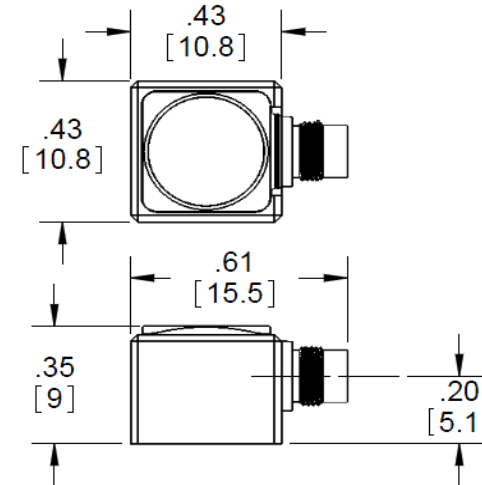
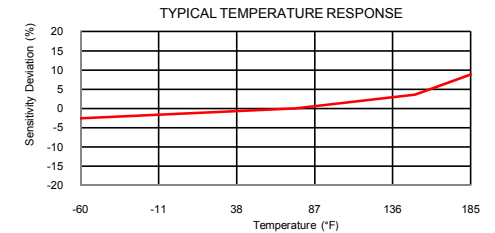
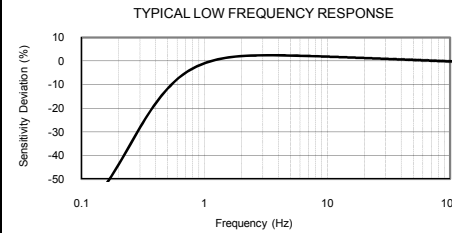
[1] M4.5 X 0.35 Connector. Mates with Dytran cable Model 6893AXX.

[2] Measured at 100Hz, 5 Grms per ISA RP 37.2.

[3] Measure using zero-based straight line method, % of F.S. or any lesser range.

[4] Do not apply power to this system without current limiting, 20 mA MAX. To do so will destroy the IC charge amplifier.

[5] TEDS operational temperature -40°C to +85°C



Units on the line drawing are in inches, units in brackets are in millimeters. Refer to 127-3333MT for more information.

