

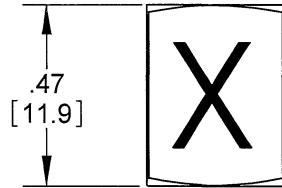
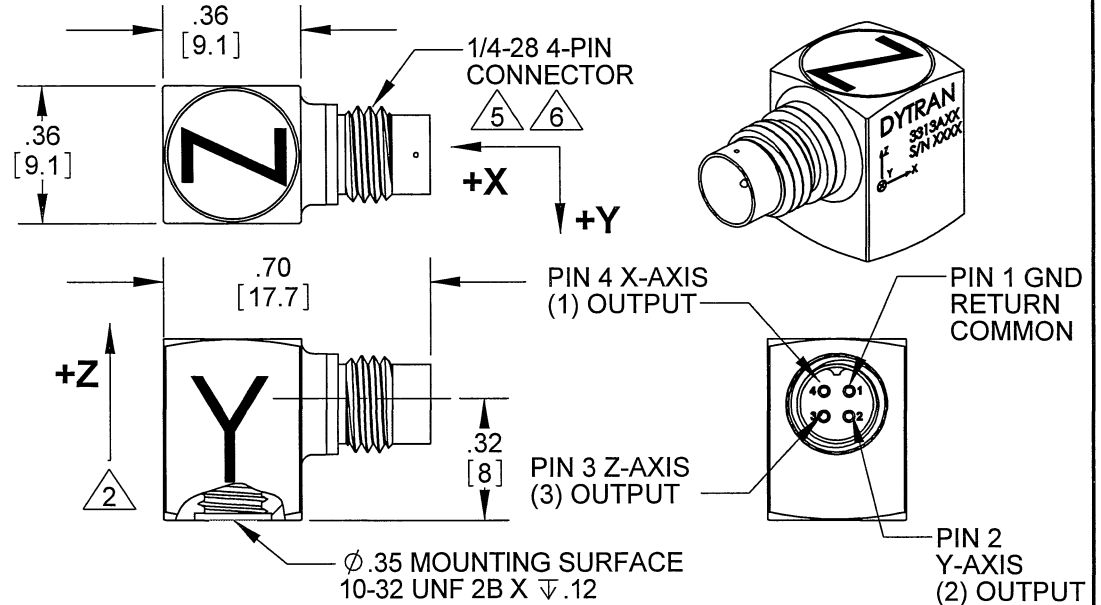
PROPRIETARY AND CONFIDENTIAL

THE INFORMATION CONTAINED IN THIS DRAWING IS THE SOLE PROPERTY OF DYTRAN INSTRUMENTS INC. ANY REPRODUCTION IN PART OR AS A WHOLE WITHOUT THE WRITTEN PERMISSION OF DYTRAN INSTRUMENTS, INC. IS PROHIBITED

REVISIONS

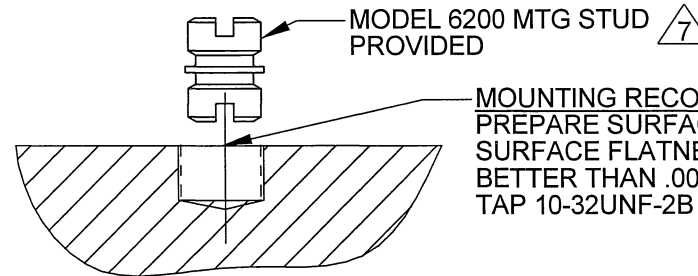
REV.	ECN	DESCRIPTION	BY/DATE	CHK	APPR
A	6660	INITIAL RELEASE	JS 06/15/10	ANS	

MODEL	SENSITIVITY	OPERATING TEMPERATURE
3313A1	1mV/g	-60° TO 250° F
3313A2	5mV/g	-60° TO 250° F
3313A3	10 mV/g	-60° TO 250° F
3313A1H	1mV/g	-60° TO 325° F
3313A2H	5mV/g	-60° TO 325° F
3313A3H	10mV/g	-60° TO 325° F



- 7 RECOMMENDED MOUNTING TORQUE 6-8 lb-in.
- 6 3313AXH MATES WITH DYTRAN 6811AXX CABLE (XX= LENGTH IN FEET)
- 5 3313AX MATES WITH DYTRAN 6811AXX OR 6824AXX CABLE (XX= LENGTH IN FEET)
- 4. SENSITIVITY: SEE CHART
- 3. WEIGHT: 4 GRAMS APPROX.
- 2 ARROWS INDICATE ACCELERATION DIRECTION FOR POSITIVE OUTPUT
- 1. MATERIAL: TITANIUM ALLOY

NOTES: UNLESS OTHERWISE SPECIFIED



USED ON	NEXT ASSY	UNLESS OTHERWISE SPECIFIED: INTERPRET DIM & TOL PER ASME Y14.5M - 1994. REMOVE BURRS. COUNTERSINK INTERNAL THDS 90° TO MAJOR DIA. CHAM EXT THDS 45° TO MINOR DIA. THD LENGTHS AND DEPTHS ARE FOR MIN FULL THDS. THDS PER MIL-S-7742. DIMENSIONS APPLY AFTER FINISHING. ALL MACHINED SURFACES. TOTAL RUNOUT WITHIN .005. BREAK SHARP EDGES .005 TO .010. MACHINED FILLET RADII .005 TO .015. WELDING SYMBOLS PER AWS A2.4. ABBREVIATIONS PER MIL-STD-12.
APPLICATION		
THIRD ANGLE PROJECTION USA		UNLESS OTHERWISE SPECIFIED: DIMENSIONS ARE IN INCHES. DIMENSIONS IN BRACKETS [] ARE IN MILLIMETERS TOLERANCES ARE: INCHES METRIC ANGLES .XX ± .03 .X ± 0.8 ± 1° .XXX ± 0.10 .XX ± 0.25
		MATERIAL
		FINISH
		DO NOT SCALE DRAWING

CONTRACT NO.



MASTER
ONLY IF IN RED
Chatsworth, CA

TITLE: OUTLINE/INSTALLATION DRAWING 3313A					
APPROVALS	DATE	SIZE	CAGE CODE	DWG. NO.	REV
ORIG JS	06/04/10	A	2W033	127-3313A	A
CHK ANS	7/13/10				
APP DV	7/13/10				
APP		SCALE: 2:1		SOLIDWORKS	SHEET 1 OF 1

Model Number 3313A3	<h2 style="margin:0;">PERFORMANCE SPECIFICATION</h2>	DOC NO PS3313A3
TRIAXIAL IEPE ACCELEROMETER		REV B , ECN 7587 06/02/11



- **WEIGHT ONLY 4 GRAMS**
- **EXCELLENT LINEARITY**
- **TEMPERATURE STABILITY**
- **HERMETICALLY SEALED**

PHYSICAL

Weight, Max
 Connector
 Mounting Provision
 Material : Housing / Connector
 Element Style

Tapped Hole

ENGLISH		SI	
0.14	oz	4.1	grams
1/4-28. 4 - Pin		1/4-28. 4 - Pin	
10-32		10-32	
Titanium		Titanium	
Quartz Planar Shear		Quartz Planar Shear	

PERFORMANCE

Sensitivity, ±10% [1]
 Range F.S (each axis)
 Frequency Response, ± 15%
 Equivalent Natural Frequency
 Equivalent Electrical Noise, Max
 Linearity [2]
 Maximum Transverse sensitivity
 Signal Polarity [3]

10	mV/g	1.02	mV/m/s ²
±500	g	±4905	m/s ²
1.2 to 10000	Hz	1.2 to 10000	Hz
> 30	kHz	> 30	kHz
0.007	grms	0.07	m/s ² rms
± 1	% F.S.	± 1	% F.S.
5	%	5	%
Positive		Positive	

ENVIRONMENTAL

Maximum Vibration
 Maximum Shock
 Temperature Range
 Seal
 Base Strain

± 600	g's,peak	± 5886	m/s ² peak
±5000	g's,peak	± 49050	m/s ² peak
-60 to +250	°F	-51 to +121	°C
Hermetic		Hermetic	
0.006	g/μe	0.06	m/s ² /μe

Electrical

Supply Current Range
 Compliance (Supply) Voltage Range
 Output Impedence, Typ
 Bias Voltage
 Discharge Time Constant
 Ground Isolation

2 to 20	mA	2 to 20	mA
+ 18 to +30	Volts	+ 18 to +30	Volts
100	Ω	100	Ω
+7 to +9	VDC	+7 to +9	VDC
0.3 to 0.5	Sec	0.3 to 0.5	Sec
Case Ground		Case Ground	

This family also includes:

Model	Sensitivity (mV/g)	Range F.S (g)	Time Constant (sec)	Operating Temperature (°F)
3313A1	1	± 5000	0.3 to 0.5	-60 to +250
3313A2	5	± 1000	0.3 to 0.5	-60 to +250

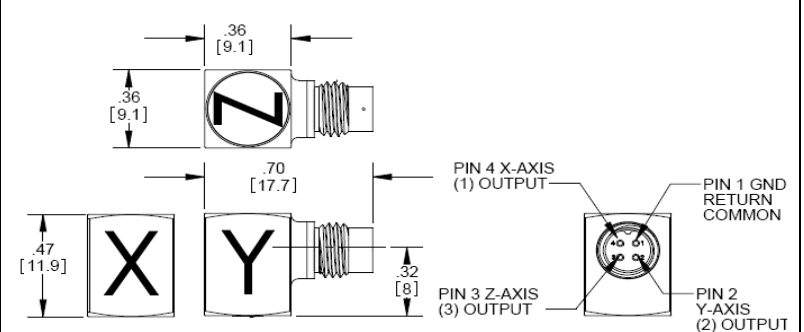
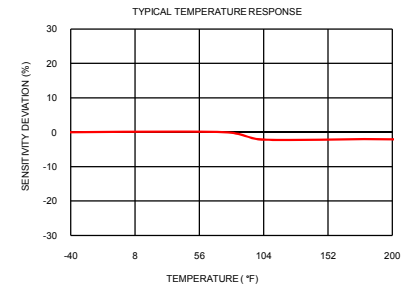
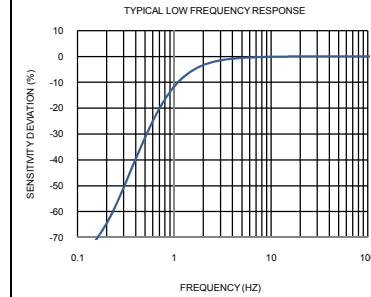
Please, refer to the performance specifications of the products in this family for detailed description

Supplied Accessories:

- 1) Accredited calibration certificate (ISO 17025)
- 2) Model 6160 mounting stud

Notes:

- [1] Measure at 100Hz, 1 grms per ISA RP 37.2
- [2] Measure using zero-based straight line method, % of F.S. or any lesser range.
- [3] For motion in direction of arrows on housing.
- [4] Do not apply power to this system without current limiting, 20 mA MAX. To do so will destroy the IC charge amplifier.
- [5] In the interest of constant product improvement, we reserve the right to change specifications without notice.
- [6] Mates with Dytran 6811AXX or 6824AXX cable (XX = Length in feet)



Units on the line drawing are in inches. Refer to 127-3313A for more information.



21592 Marilla Street, Chatsworth, California 91311 Phone: 818.700.7818 Fax: 818.700.7880 www.dytran.com
 For permission to reprint this content, please contact info@dytran.com