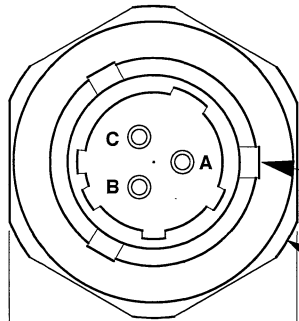


REVISIONS					
REV	ECN	DESCRIPTION	BY/DATE	CK	APPR
A	6746	INITIAL RELEASE	RA, 04/28/10	<i>Er</i>	<i>[Signature]</i>

**PINOUT:**  
 PIN A-CASE GROUND  
 PIN B-SIG/PWR GND RET  
 PIN C-SIG/PWR



3-PIN BAYONET STYLE  
 MS3443H898PN CONNECTOR,  
 HERMETIC. SEE NOTE 6 FOR MATING  
 CONNECTOR SUGGESTIONS.

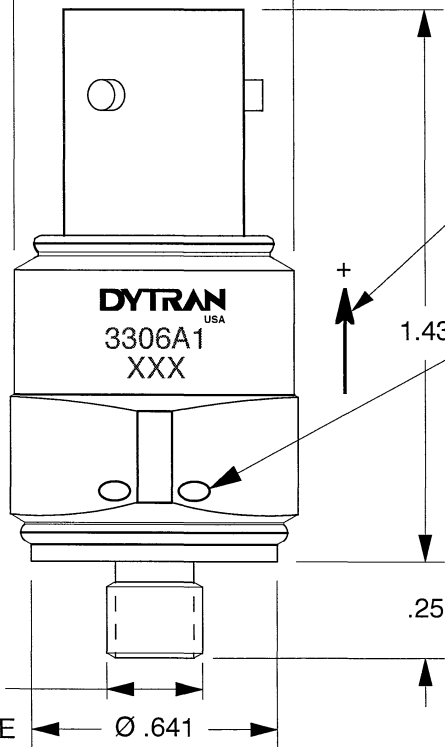
Ø .811, HEX CORNERS

Ø .73

.75 HEX

MODEL NUMBER	SENSITIVITY
3306A1	5 mV/G

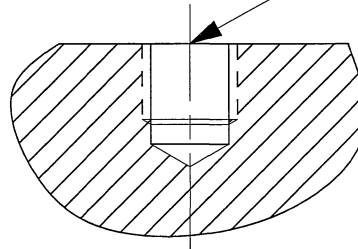
ARROW INDICATES SENSE AND  
 DIRECTION OF ACCELERATION FOR  
 POSITIVE-GOING OUTPUT VOLTAGE



.047 DIA LOCKWIRE HOLES,  
 TYP 2 HOLES

**MOUNTING SURFACE  
 PREPARATION:**

PREPARE FLAT CIRCULAR AREA  
 APPROX. Ø.750, FLAT TO WITHIN  
 .0005 T.I.R. AT CENTER, DRILL  
 Ø.213 X .320 DEEP MIN  
 BOTTOM TAP 1/4-28 UNF-2B X  
 .270 DEEP MIN



6. TYPICAL MATING CONNECTORS ARE: MS3476W898SN (STANDARD PLUG, CADMIUM FINISH). FOR PLUG W/RFI FINGERS: MS3475 W898SN. OTHER VARIATIONS ARE AVAILABLE.

- MATERIAL, BODY & CONNECTOR: 300 SERIES STAINLESS STEEL.
- SENSING ELEMENT: QUARTZ SHEAR.
- POWER/SIGNAL GROUND INSULATED FROM OUTER CASE. INSUL. RES: > 10 MEGOHMS.
- SEALING: HERMETIC.
- WEIGHT: MODEL 3306A1: 37 GRAMS.

<b>DYTRAN</b> INSTRUMENTS, INC.		<b>MASTER ONLY IF IN RED</b>		CHATSWORTH, CA.	
SCALE	2X	REV	A	DATE	-
DATE	4/26/10	PART NO.	MODEL 3306A1		
DRAWN	R.A.	CHECKED	<i>[Signature]</i>		
APPROVED	<i>[Signature]</i>	NEXT ASSEMBLY	USED ON		
TITLE				DWG NO.	
OUTLINE/INSTALLATION DRAWING, MODEL 3306A1				127-3306A1	
SHEET 1 OF 1					



- **LOW TEMPERATURE APPLICATION**
- **EXCELLENT LINEARITY**
- **ELECTRICALLY ISOLATED**
- **HERMETICALLY SEALED**

**PHYSICAL**  
 Weight  
 Size  
 Connector [4]  
 Mounting Provision : Integral Stud  
 Material : Housing, Base and Connector  
 Element Material, Style

ENGLISH		SI	
1.30	oz	37	grams
750 X 1.4	Inches	19.05 X 35.56	mm
3 Pin, MS3443H898PN		3 Pin, MS3443H898PN	
1/4 - 28 UNF-2A		1/4 - 28 UNF-2A	
304L		304L	
Quartz, Shear		Quartz, Shear	

**PERFORMANCE**  
 Sensitivity, ±5% [1]  
 Range F.S for ± 5 Volts Output  
 Frequency Range  
 Filter Rolloff Rate  
 Filter Corner Frequency  
 Resonant Frequency, Nominal  
 Noise floor  
 Spectral Noise  
 Linearity [2]  
 Maximum Transverse sensitivity  
 Strain Sensitivity

5	mV/g	0.51	mV/m/s <sup>2</sup>
±1000	g	± 9810	m/s <sup>2</sup>
1.6 to 2500	Hz	1.6 to 2500	Hz
4.8 to 1800	Hz	4.8 to 1800	Hz
12	db/octave	12	db/octave
2,500	Hz	2,500	Hz
>35	kHz	>35	kHz
0.007	Grms	0.069	m/s <sup>2</sup> rms
0.002	Grms/sqr(Hz)	0.02	m/s <sup>2</sup> rms/sqr(Hz)
0.0007	Grms/sqr(Hz)	0.007	m/s <sup>2</sup> rms/sqr(Hz)
0.0003	Grms/sqr(Hz)	0.003	m/s <sup>2</sup> rms/sqr(Hz)
0.0001	Grms/sqr(Hz)	0.001	m/s <sup>2</sup> rms/sqr(Hz)
± 1%	% F.S.	± 1%	% F.S.
5	%	5	%
0.002	g/μσ	0.02	m/s <sup>2</sup> /μσ

**ENVIRONMENTAL**  
 Maximum Vibration  
 Maximum Shock  
 Temperature Range  
 Seal

±1000	G's, peak	±9810	m/s <sup>2</sup> peak
±2000	G's, peak	±19620	m/s <sup>2</sup> peak
-420 to +300	°F	-251 to 149	°C
Hermetic		Hermetic	

**ELECTRICAL**  
 Supply Current Range [3]  
 Compliance Voltage Range  
 Output Impedence, Typ  
 Bias Voltage  
 Discharge Time Constant, Nom  
 Output Signal Polarity for Acceleration Towards Top  
 Electrical Isolation, Ground (Pin B) to case( pin A)

2 to 20	mA	2 to 20	mA
+ 18 to +30	Volts	+ 18 to +30	Volts
100	Ω	100	Ω
+7 to +10	VDC	+7 to +10	VDC
0.1 to 0.3	Sec	1.0	Sec
Positive		Positive	
10	GΩ, min	10	GΩ, min

**This family also includes:**

Model	Sensitivity	Range F.S ± 5 Volts	Max Vibration/Shock	Resonant Frequency

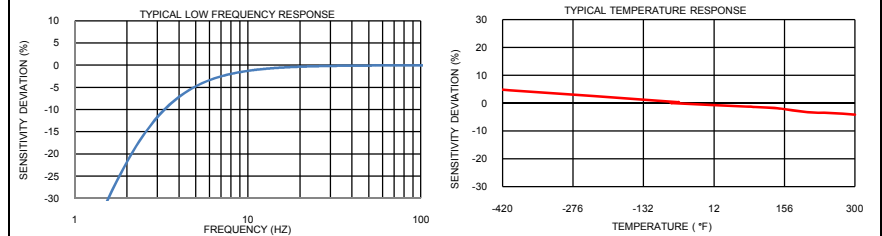
Please, refer to the performance specifications of the products in this family for detailed description

**Supplied Accessories:**

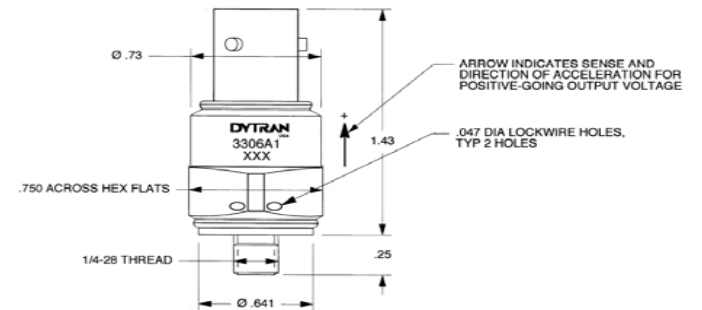
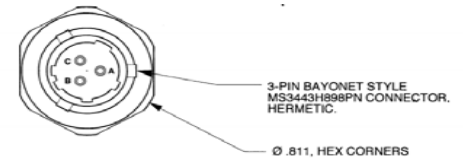
- 1) Accredited calibration certificate (ISO 17025)

**Notes:**

- [1] Measure at 100Hz, 1 Grms per ISA RP 37.2
- [2] Measure using zero-based straight line method, % of F.S. or any lesser range.
- [3] Do not apply power to this system without current limiting, 20 mA MAX. To do so will destroy the IC charge amplifier.
- [4] Typical mating connectors are: MS3476W898SN (Standard plug, Cadmium finish). For plug W/RFI fingers: MS3475W898SN. Other variations are available.
- [5] Lock wire holes are included in the base
- [6] In the interest of constant product improvement, we reserve the right to change specifications without notice.



**PINOUT:**  
 PIN A-CASE GROUND  
 PIN B-SIG/PWR GND RET  
 PIN C-SIG/PWR



Units on the line drawing are in inches, units in brackets are in millimeters. Refer to 127-3306A1 for more information.

