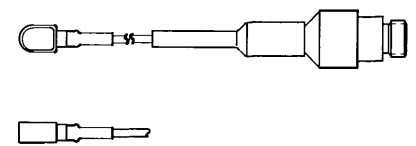
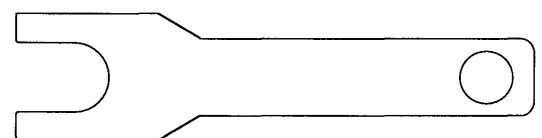
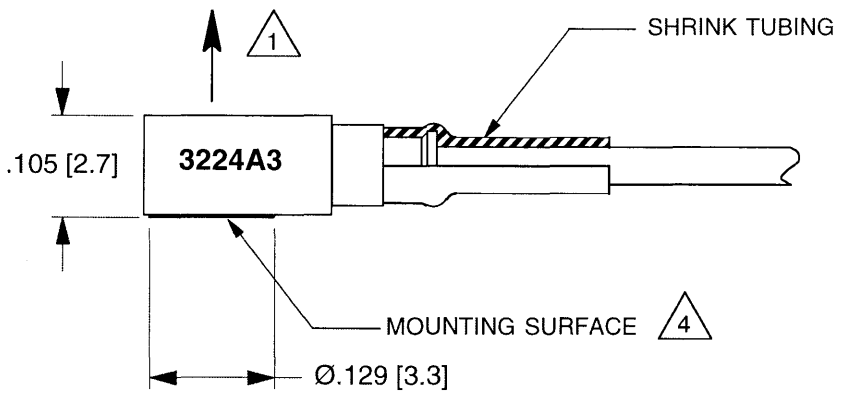
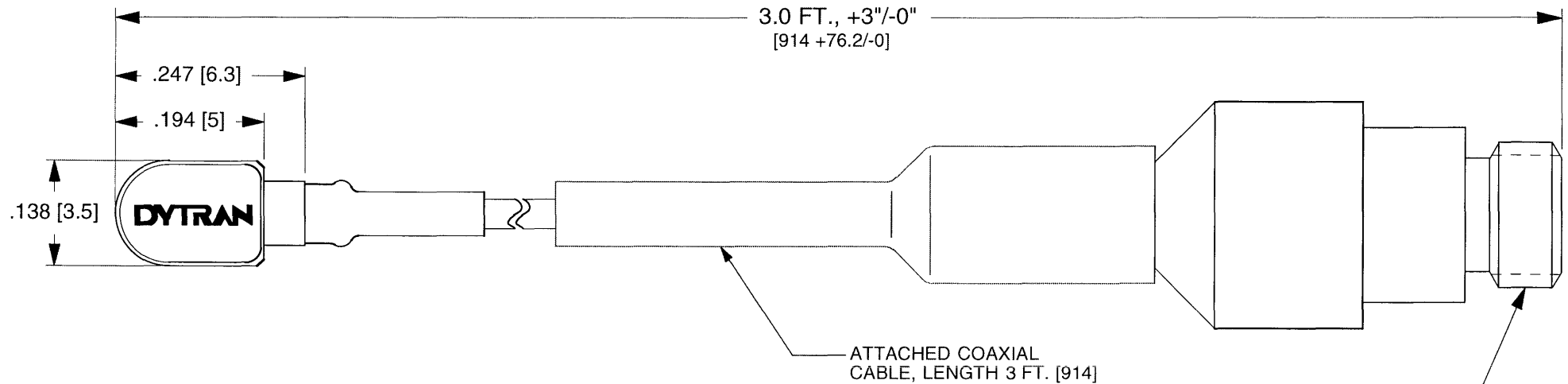


DYTRAN PROPRIETARY AND CONFIDENTIAL

THE INFORMATION CONTAINED IN THIS DRAWING IS THE SOLE PROPERTY OF DYTRAN INSTRUMENTS, INC. AND ANY REPRODUCTION IN PART OR AS A WHOLE OR ANY OTHER DISSEMINATION OF THIS INFORMATION WITHOUT THE WRITTEN PERMISSION OF DYTRAN INSTRUMENTS, INC. IS PROHIBITED.

REV	ECN	DESCRIPTION	BY/DATE	CHK	APPR
A	5301	INITIAL RELEASE	NC/5-5-08	CES	NC
B	6301	SEE ECN	RA 10/05/09	<i>RA</i>	<i>RA</i>



MODEL 6725 REMOVAL TOOL, INCLUDED SCALE: 2.5X

ACTUAL SIZE

- APPLY ADHESIVE TO THIS SURFACE TO MOUNT.
- 3. CASE AND CONNECTOR MATERIAL: TITANIUM.
- 2. WEIGHT LESS CABLE: 0.2 GRAMS.
- ARROW INDICATES SENSE AND DIRECTION OF INPUT ACCELERATION FOR POSITIVE GOING OUTPUT SIGNAL.

UNLESS OTHERWISE SPECIFIED:
DIMENSIONS ARE IN INCHES.
DIMENSIONS IN BRACKETS [] ARE IN MILLIMETERS.
TOLERANCES ARE:

INCHES	METRIC	ANGLES
.XX ±.03	.X ±0.8	±1°
.XXX ±.005	.XX ±0.25	

MASTER

ONLY IF IN RED

CHATSWORTH, CA.

SCALE 5X	DESIGN N.C.	DATE 1/15/08		
DRAWN N.C.	DATE 1/15/08	PART NO. MODEL 3224A3		
CHECKED DV	DATE 3/25/09	MAT'L		REV B
APPROVED ANS	DATE 1/15/09	NEXT ASSEMBLY	USED ON	

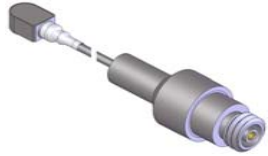
TITLE
OUTLINE/INSTALLATION DRAWING,
MODEL 3224A3 ACCELEROMETER, 5 mV/g

DWG NO.
127-3224A3

SHEET 1 OF 1

MODEL NUMBER 3224A3	PERFORMANCE SPECIFICATION	DOC NO. PS3224A3
--------------------------------------	----------------------------------	-----------------------------------

IEPE ACCELEROMETER		REV B, ECN 6440, 12/12/09
---------------------------	--	---------------------------



- MINIATURE SIZE
- EPOXY SEALED CABLE CONNECTION

PHYSICAL

Weight, Less Cable
Mounting Provision
Connector [2]
Case Material
Sensing Element

ENGLISH			SI	
0.007	oz		0.2	grams
[1]			[1]	
Integral cable			Integral cable	
Titanium			Titanium	
Planar Shear Piezoceramic			Planar Shear Piezoceramic	

PERFORMANCE

Sensitivity [3] [4]
Range F.S. For ± 5 Volts Output
Frequency Response, ±10%
Resonant Frequency, NOM
Equivalent Electrical Noise Floor
Amplitude Non-Linearity [5]
Transverse Sensitivity, Max.
Strain Sensitivity @250µε

5 to 10	mV/g		0.5 to 1.0	mV/ m/s ²
± 1000	g		± 9810	m/s ²
0.4 to 20000	Hz		0.4 to 20000	Hz
>95	kHz		>95	kHz
0.025	g rms		0.25	m/s ² rms
± 1 %	%F.S		± 1 %	%F.S
5%			5%	
0.14	g/µε		1.37	m/s ² /µε

ENVIRONMENTAL

Maximum Vibration
Maximum Shock
Temperature Range
Seal

650	grms		6370	m/s ² rms
2000	±gpk		19600	± m/s ² pk
-60 to +300	°F		-51 to 149	°C
Laser Welded, Epoxy sealed Cable			Laser Welded, Epoxy sealed Cable	

ELECTRICAL

Supply Current [6]
Compliance Voltage Range
Output Impedance TYP
Bias Voltage
Discharge Time Constant
Output Signal Polarity for Acceleration Toward Top
Case Grounding

2 to 20	mA		2 to 20	mA
18 to +30	V		18 to +30	V
100	Ω		70	Ω
+8 to +10	VDC		+8 to +10	VDC
1.1 to 1.5	sec		1.1 to 1.5	sec
Positive			Positive	
[7]			[7]	

This family also includes:

Model	Sensitivity (mV/g)	Range (Gpeak)	Resolution (Grms)	Oper. Temp(°F)	TC (sec)
3224A1	9 to 14	500	0.017	-60 to 300	1.1 to 1.5
3224A2	2 to 5	2500	0.03	-60 to 300	0.3 to 0.5

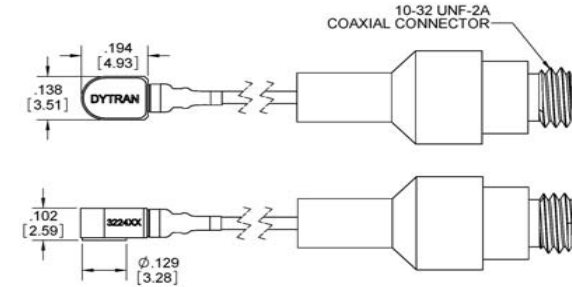
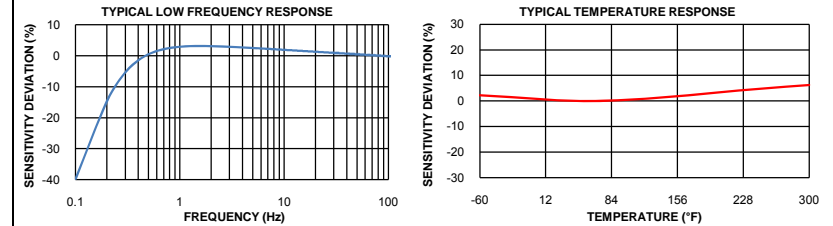
Please, refer to the performance specifications of the products in this family for detailed description.

Supplied Accessories:

- 1) Model 6725 installation removal wrench.
- 2) Sample of " Small Petro Mounting Wax".
- 3) Accredited calibration certificate (ISO 17025)

Notes:

- [1] Flat mounting surface for adhesive mount.
- [2] 10-32 Jack at end of integral 3FT. cable
- [3] Measured at 100 Hz, 1 G rms per ISA RP 37.2.
- [4] Actual sensitivity is given on a calibration certificate traceable to ISO 17025, supplied with each instrument
- [5] Measured using zero-based best straight-line method.
- [6] Do not apply power to this device without current limiting, 20 mA MAX. To do so will destroy the integral IC amplifier.
- [7] Case is grounded to electrical signal/power ground.



Units on the line drawing are in inches, units in brackets are in millimeters. Refer to 127-3224A3 for more information.



21592 Marilla Street, Chatsworth, California 91311 Phone: 818.700.7818 Fax:818.700.7880 www.dytran.com For permission to reprint this content, please contact info@dytran.com