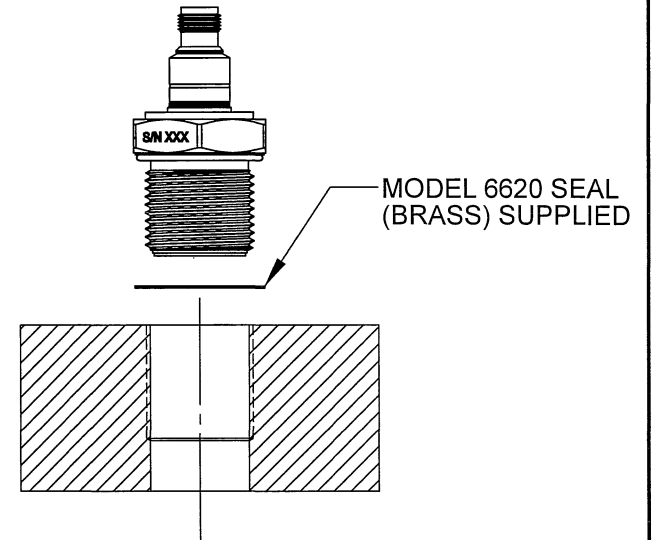
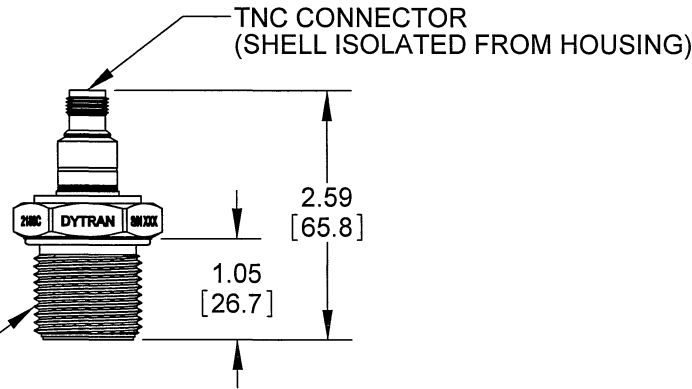
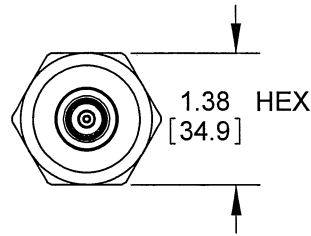



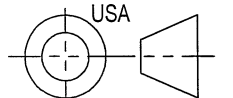
PROPRIETARY AND CONFIDENTIAL		REVISIONS					
THE INFORMATION CONTAINED IN THIS DRAWING IS THE SOLE PROPERTY OF DYTRAN INSTRUMENTS INC. ANY REPRODUCTION IN PART OR AS A WHOLE WITHOUT THE WRITTEN PERMISSION OF DYTRAN INSTRUMENTS INC. IS PROHIBITED		REV.	ECN	DESCRIPTION	BY/DATE	CHK	APPR
		C	7110	REDRAWN AND REFORMATTED	RLA, 10/15/10	EP	DV



PORT PREPARATION DRILL OR BORE
 1 3/64 (Ø1.046 [Ø26.6]) X 1.30 [33] ∇
 TAP 1 1/8-12 X 1.10 [28] ∇

3. TORQUE IN PLACE WITH 60 LB-INCHES OF TORQUE.
2. PRESSURE ELEMENT IS INTERNALLY CASE ISOLATED, ENCLOSED BY A FARAFDAY SHIELD AND ACCELERATION COMPENSATED.
1. MATERIAL: HOUSING AND DIAPHRAGM-316L STAINLESS STEEL.

NOTES: UNLESS OTHERWISE SPECIFIED.

2180C		UNLESS OTHERWISE SPECIFIED: INTERPRET DIM & TOL PER ASME Y14.5M - 1994. REMOVE BURRS. COUNTERSINK INTERNAL THDS 90° TO MAJOR DIA. CHAM EXT THDS 45° TO MINOR DIA. THD LENGTHS AND DEPTHS ARE FOR MIN FULL THDS. THDS PER MIL-S-7742. DIMENSIONS APPLY AFTER FINISHING. ALL MACHINED SURFACES. TOTAL RUNOUT WITHIN .005. BREAK SHARP EDGES .005 TO .010. MACHINED FILLET RADII .005 TO .015. WELDING SYMBOLS PER AWS A2.4. ABBREVIATIONS PER MIL-STD-12.	UNLESS OTHERWISE SPECIFIED: DIMENSIONS ARE IN INCHES. DIMENSIONS IN BRACKETS [] ARE IN MILLIMETERS TOLERANCES ARE: INCHES METRIC ANGLES .XX ± .03 X ± 0.8 ± 1° .XXX ± .010 .XX ± 0.25	CONTRACT NO.		 MASTER ONLY IF IN RED Chatsworth, CA		
USED ON	NEXT ASSY			APPROVALS		DATE		TITLE:
APPLICATION		MATERIAL	ORIG	NC	4/10/02		OUTLINE/INSTALLATION DRAWING, MODEL 2180C	
THIRD ANGLE PROJECTION USA			FINISH	CHK	RA	4/10/02		SIZE
		DO NOT SCALE DRAWING	APP	NC	4/10/02		A	2W033
			APP				SCALE: NONE	SOLIDWORKS
							127-2180C	C
							SHEET 1 OF 1	

SPECIFICATIONS, MODEL 2180C HIGH INTENSITY ACOUSTIC SENSOR

SPECIFICATION	VALUE	UNITS
PHYSICAL		
WEIGHT	155	grams
SIZE (BODY HEX x HEIGHT)	1-3/8 x 2.56	inches
MOUNTING PROVISION	1-1/8-12 thread	
CONNECTOR, COAXIAL, AXIALLY MOUNTED	TNC	
BODY/CONNECTOR MATERIAL	316L stainless steel	
DIAPHRAGM MATERIAL	316L stainless steel	
PERFORMANCE		
SENSITIVITY, ± 20% [1] [3]	600	pC/psi
RANGE F.S.	10 (191 db)	psi (db)
ABSOLUTE MAXIMUM PRESSURE	600 (226)	psi (db)
MOUNTED RESONANT FREQUENCY, NOM.	21	kHz
NON-LINEARITY (ZERO BASED BEST FIT ST. LINE METHOD) [2]	1.0	% F.S., MAX.
ACCELERATION SENSITIVITY, AXIAL DIRECTION	.02	psi/g
ENVIRONMENTAL		
MAXIMUM VIBRATION	± 100	g, RMS
MAXIMUM SHOCK	2000	g, PEAK
TEMPERATURE RANGE	-60 TO +500	°F
THERMAL COEFFICIENT OF SENSITIVITY	0.06	%/°F
SEAL	HERMETIC	welded glass to metal
ELECTRICAL		
OUTPUT SIGNAL POLARITY FOR INCREASING PRESSURE	negative	
CAPACITANCE, NOM.	1530	pF

SUPPLIED ACCESSORIES:

(1) MODEL 6620 BRASS SEAL

NOTES:

[1] 0 db REFERENCE: .0002 DYNES PER CM²

[2] PERCENT FULL SCALE, ZERO-BASED BEST FIT STRAIGHT LINE METHOD.

[3] A CALIBRATION CERTIFICATE TRACEABLE TO **NIST** IS SUPPLIED WITH EACH INSTRUMENT.