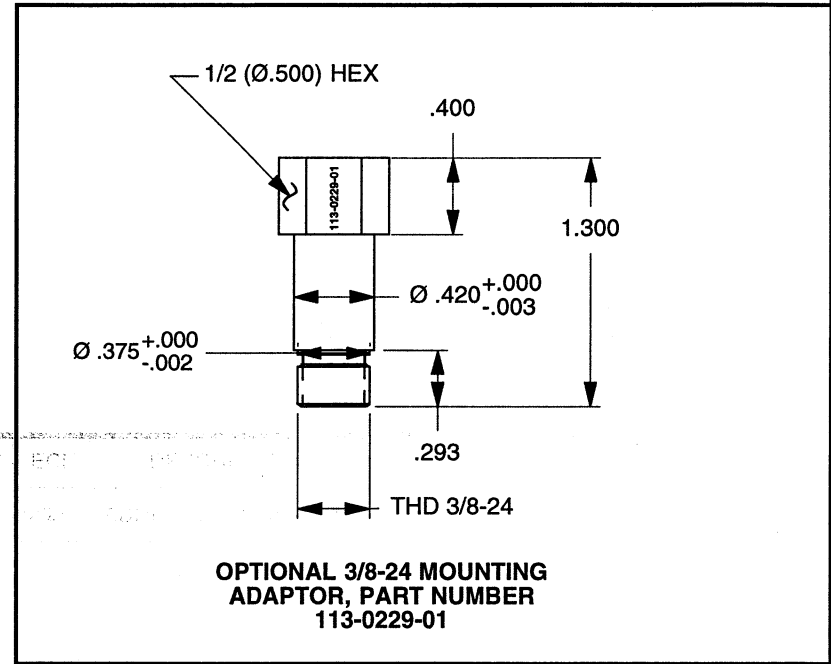
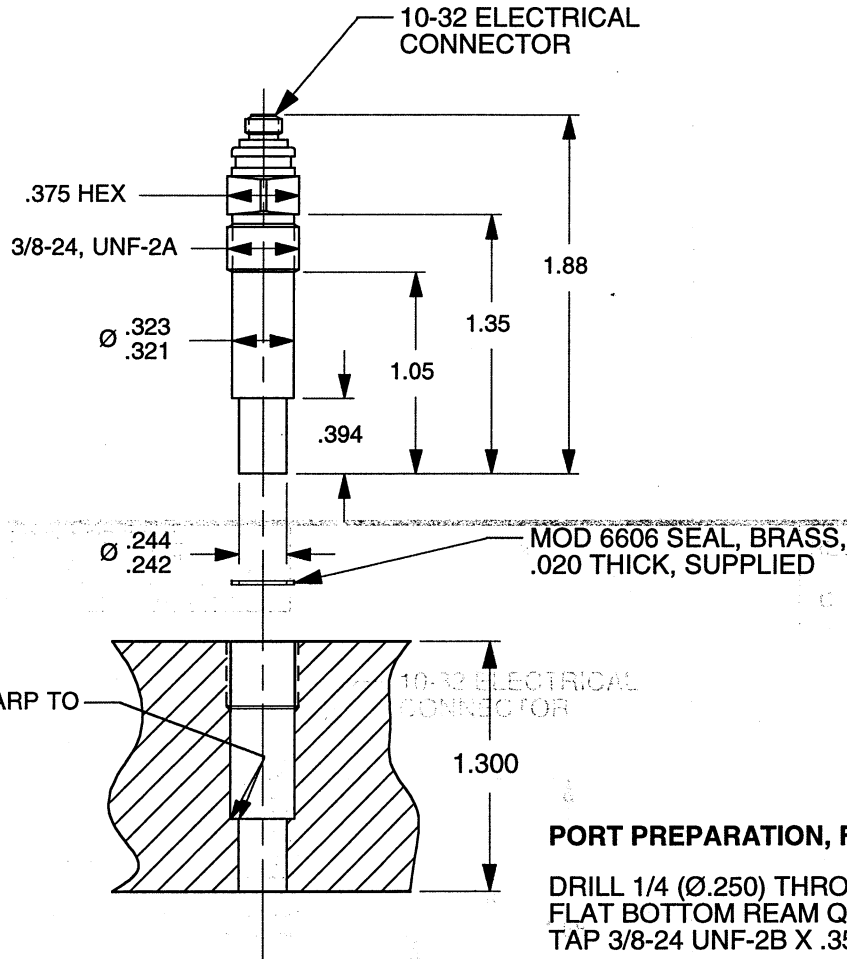


DYTRAN PROPRIETARY AND CONFIDENTIAL
 THE INFORMATION CONTAINED IN THIS DRAWING IS THE SOLE PROPERTY OF
 DYTRAN INSTRUMENTS, INC. AND ANY REPRODUCTION IN PART OR AS A
 WHOLE OR ANY OTHER DISSEMINATION OF THIS INFORMATION WITHOUT THE
 WRITTEN PERMISSION OF DYTRAN INSTRUMENTS, INC. IS PROHIBITED.

REV	ECN	DESCRIPTION	BY/DATE	CHK	APPR
C	5829	ADDED OPTIONAL ADAPTOR	NC/3-5-09	<i>DV</i>	<i>DK</i>



PORT PREPARATION, FLUSH DIAPHRAGM INSTALLATION:

DRILL 1/4 (∅.250) THROUGH $\triangle 1$
 FLAT BOTTOM REAM Q (∅.332) X .920 ± .003 DEEP $\triangle 1$
 TAP 3/8-24 UNF-2B X .350 MIN DEPTH PERFECT THREAD

- MOUNTING TORQUE ON 3/8 HEX: 30 TO 40 LB-INCHES.
- WEIGHT OF 2011V: 13 GRAMS.
- MATERIAL, BODY & DIAPHRAGM: 17-4PH STAINLESS STEEL HARDENED TO Rc 44-45.

EXCEPT AS OTHERWISE NOTED	
ALL DIMENSIONS IN INCHES TOLERANCE: .xxx ± .005 .xx ± .01	
SURFACE FINISH 63 EXCEPT AS NOTED	
BREAK EDGES TO DEBURR .003 RADIUS OR CHAMFER	
$\triangle 1$ THESE DIAS \odot TO .001 T.I.R.	
FILLETS -.003 MAX RAD.	

DYTRAN INSTRUMENTS, INC.		MASTER ONLY IF IN RED		CHATSWORTH, CA.	
SCALE 1X	DESIGN N.C.	DATE 3/21/96			
DRAWN N.C.	DATE 3/21/96	PART NO. MODELS 2011V & 2011V1			
CHECKED <i>DV</i>	DATE 3/23/97	MAT'L			
APPROVED <i>DK</i>	DATE 3-17-09	NEXT ASSEMBLY	USED ON 2011V & 2011V1		
TITLE OUTLINE/INSTALLATION DRAWING, MODEL SERIES 2011V ENGINE PRESSURE SENSOR			DWG NO. 127-2011V		
			SHEET 1 OF 1		

**SPECIFICATIONS MODEL 2011V
DYNAMIC PRESSURE SENSOR**

SPECIFICATION	VALUE	UNITS
PHYSICAL		
WEIGHT	13.0	GRAMS
SIZE (HEX X HEIGHT)	.375 X 1.88	INCHES
MOUNTING PROVISION	3/8-24 UNF-2A MALE THREAD	
CONNECTOR, AXIALLY MOUNTED AT TOP	10-32 UNF-2A	
BODY/CONNECTOR MATERIAL	STAINLESS STEEL, HARDENED	17-4 PH
DIAPHRAGM MATERIAL	STAINLESS STEEL	17-5 PH
PERFORMANCE		
SENSITIVITY, NOM.	5	mV/Psi
RANGE F.S. FOR +5 VOLTS OUT	1000	Psi
MAXIMUM PRESSURE	2000	Psi
MOUNTED RESONANT FREQUENCY, NOM.	130	kHz
MINIMUM RISE TIME OF INPUT PRESSURE PULSE	2	μSEC
EQUIVALENT ELECTRICAL NOISE FLOOR (RESOLUTION)	.009	Psi
NON-LINEARITY (ZERO BASED BEST FIT ST.LINE METHOD) [1]	±1	%F.S.
ACCELERATION SENSITIVITY, AXIAL DIRECTION	.02	Psi/G
DISCHARGE TIME CONSTANT	4.0	SEC
LOWER -3db FREQUENCY	.04	Hz
ENVIRONMENTAL		
MAXIMUM VIBRATION	1000	G's RMS
MAXIMUM SHOCK	3,000	G, ' s PEAK
TEMPERATURE RANGE	-100 TO +250	°F
MAXIMUM FLASH TEMPERATURE AT DIAPHRAGM	+3000	°F
THERMAL COEFFICIENT OF SENSITIVITY	0.03	%/°F
ENVIRONMENTAL SEAL	HERMETIC	WELDED/GLASS TO METAL
ELECTRICAL		
EXCITATION (COMPLIANCE) VOLTAGE RANGE	+18 TO +30	VDC
EXCITATION CURRENT RANGE [2]	2 TO 20	mA
OUTPUT IMPEDANCE, NOM.	100	Ohms
OUTPUT BIAS VOLTAGE, NOM	+10	VDC
OUTPUT SIGNAL POLARITY FOR INCREASING PRESSURE	POSITIVE GOING	
SUPPLIED ACCESSORIES		
MODEL 6606 SEAL, BRASS, 2 SUPPLIED, BOTH MODELS		

NOTES:

- [1] PERCENT FULL SCALE, ZERO BASED BEST FIT STRAIGHT LINE METHOD.
 [2] FROM CONSTANT CURRENT TYPE POWER UNIT ONLY. THIS SENSOR **MUST NOT BE CONNECTED TO A DC POWER SOURCE WITHOUT CURRENT LIMITING, 20 mA MAXIMUM.**
 3 A CALIBRATION CERTIFICATE TRACEABLE TO NIST IS SUPPLIED WITH EACH INSTRUMENT.